

## Braced Post Insulator Assembly B2901080T12098AA

1) H2 90 10 070 AX SS 027	[1]
2) S1 40 80 066 MA AL 043	[1]
3) Socket/Y-Clevis (SYC-56)	[1]
4) Turnbuckle (G-227-NBC-3/4x12C)	[1]
5) Shackle (ASH-55-BC)	[1]

### ASSEMBLY DIMENSIONAL VALUES

Post Section Length (PSL)	79.7 in	2,024 mm
Suspension Section Length (SSL)	78.0 in	1,981 mm
Height of Assembly (H)	98.0 in	2,489 mm
Length of Brace (B)	111.3 in	2,827 mm
Upper Pole Connection Offset (A)*	2.0 in	51 mm
Angle Between Insulators (C)		58 Degrees
Dry Arc Distance	66.1 in	1,679 mm
Leakage Distance	191.5 in	4,864 mm

\*This connection bracket to be supplied by customer

### ASSEMBLY ELECTRICAL VALUES\*

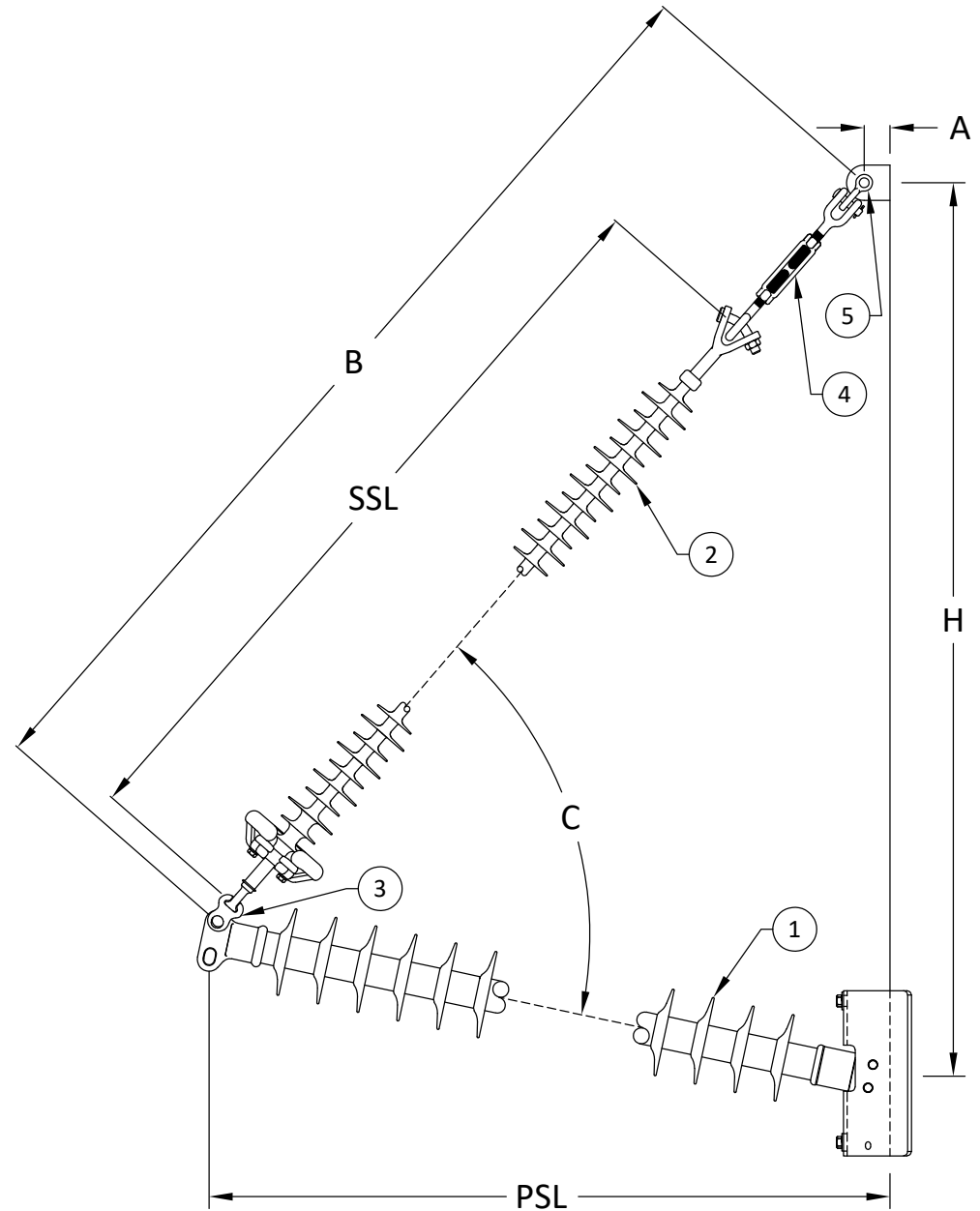
60 Hz Dry F.O. (Min. Withstand)	613 kV	(576) kV
60 Hz Wet F.O. (Min. Withstand)	563 kV	(452) kV
CIFO+ (Min. Withstand)	1,073 kV	(948) kV
CIFO- (Min. Withstand)	1,109 kV	(995) kV

\*Values shown are based on minimum electricals for the assembly

### ASSEMBLY MECHANICAL VALUES

Maximum Working Vertical Load	10,861 lbs	48.3 kN
-------------------------------	------------	---------

This drawing contains confidential information that is the property of MacLean Power, L.L.C. ("MacLean"). Use of MacLean's confidential information without MacLean's express written consent is strictly prohibited and may expose you to legal liability. If you believe that you received this material in error, please destroy it or return it to "MacLean Power, L.L.C., 7801 Park Place Rd., York, South Carolina 29745, USA."



MPS Catalog Number:

**H2 90 10 070 AX SS 027**

Date:

04/11/2022

**End Fittings**

Tower End Fitting:

Gain / 12 deg / Steel

Line End Fitting:

Anchor / Ductile Iron  
2 HL Drop Tongue / Galv. Ductile Iron

**Material**

Corona Ring (Tower):

None

Corona Ring (Line):

None

Corona Rings are recommended for applications of 230 kV and above

Mounting Angle:

12 deg

Number of Sheds:

27

Rod Diameter:

2.5 in

Weight Estimate:

87.4 lbs

40 kg

**Dimensional Values**

Section Length (L):

79.7 in      2,024 mm

Rubber Length (X):

70 in      1,778 mm

Shed spacing (S):

2.5 in      64 mm

Shed Projection (P):

2.4 in      61 mm

Dry Arc Distance:

72.9 in      1,852 mm

Leakage Distance:

191.5 in      4,864 mm

**Electricals Values**

60 Hz dry Flashover (Min. Withstand):

672 kV      630 kV

60 Hz Wet Flashover (Min. Withstand):

614 kV      495 kV

CIFO Positive (Min. Withstand):

1178 kV      1039 kV

CIFO Negative (Min. Withstand):

1209 kV      1088 kV

**Mechanical Values**

Max. Design Cant. Load (MDCL):

1,109 lbs      4.9 kN

Specified Cant. Load (SCL):

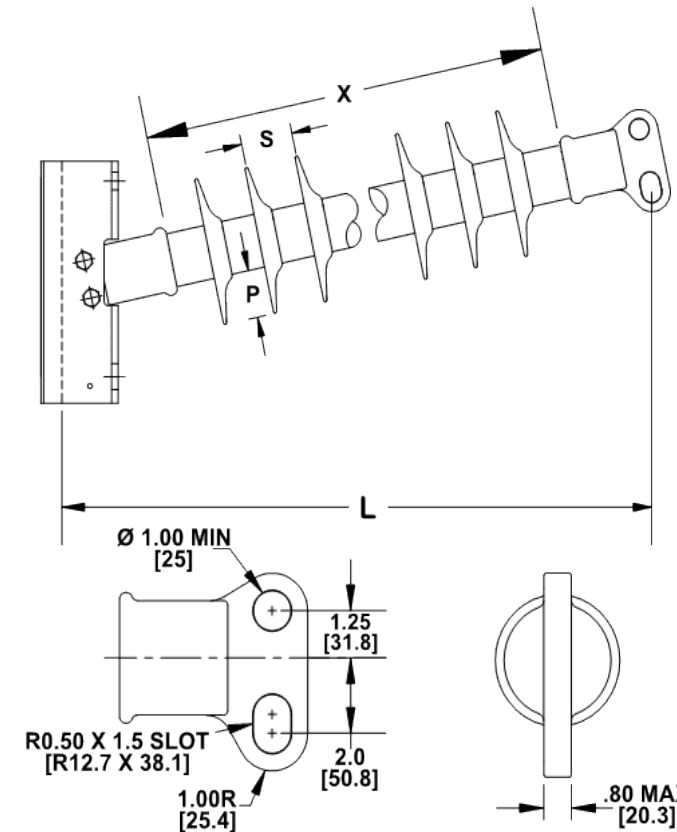
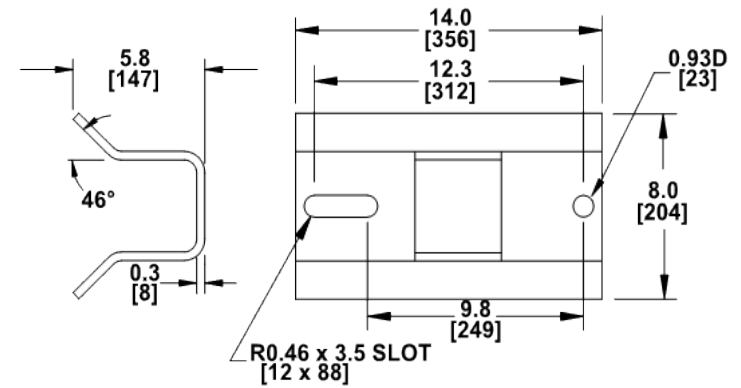
2,218 lbs      9.9 kN

Specified Tensile Load (STL):

15,000 lbs      66.7 kN

This drawing contains confidential information that is the property of MacLean Power, L.L.C. ("MacLean"). Use of MacLean's confidential information without MacLean's express written consent is strictly prohibited and may expose you to legal liability. If you believe that you received this material in error, please destroy it or return it to "MacLean Power, L.L.C., 7801 Park Place Rd., York, South Carolina 29745, USA."

Notes:



Dimension: inches [millimeters]

NOTE: Drawing not actual depiction of insulator appearance.

Silicone rubber sheath and sheds complies with applicable ANSI and IEC standards.

Prepared By: Stephen Lucci

MPS Catalog Number

**S1 40 80 066 MA AL 043**

Date: 04/11/2022

**End Fittings**

Tower End Fitting:

Y-Clevis / Forged Steel

Line End Fitting:

Ball / Forged Steel  
 / (ANSI 52-5)

**Material**

Corona Ring (Line):

8" Corona Ring

Corona Rings are recommended for applications of 230 kV and above

Number of Sheds:

21 large      22 standard

Rod Diameter:

16 mm

Weight Estimate:

15.4 lbs      7 kg

**Dimensional Values**

Section Length (L):

78 in      1,981 mm

Rubber Length (X):

66 in      1,676 mm

Standard Shed Height (P1):

1.5 in      38 mm

Large Shed Height (P2):

2 in      51 mm

Projection Ration (S/P):

-      1.5

Shed Spacing (S):

3 in      76 mm

Dry Arc Distance:

66.1 in      1,679 mm

Leakage Distance:

195 in      4,953 mm

**Electricals Values**

60 Hz dry Flashover (Min. Withstand):

644 kV      588 kV

60 Hz Wet Flashover (Min. Withstand):

563 kV      490 kV

CIFO Positive (Min. Withstand):

1,084 kV      956 kV

CIFO Negative (Min. Withstand):

1,140 kV      1,010 kV

**Mechanical Values**

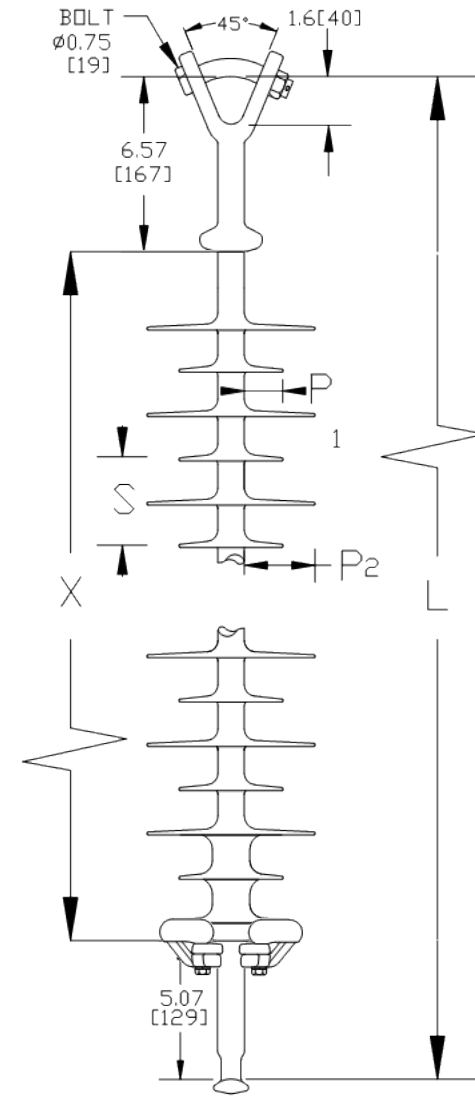
Specified Mech. Load (SML):

25,000 lbs      111.2 kN

Routine Test Load (RTL):

12,500 lbs      55.6 kN

This drawing contains confidential information that is the property of MacLean Power, L.L.C. ("MacLean"). Use of MacLean's confidential information without MacLean's express written consent is strictly prohibited and may expose you to legal liability. If you believe that you received this material in error, please destroy it or return it to "MacLean Power, L.L.C., 7801 Park Place Rd., York, South Carolina 29745, USA."



Dimension: inches [millimeters]

NOTE: Drawing not actual depiction of insulator appearance.

Silicone rubber sheath and sheds complies with applicable ANSI and IEC standards.

Notes:

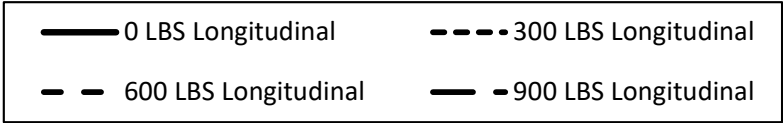
Prepared By: Stephen Lucci



**MacLean Power Systems**

## B2901080T12098AA Ultimate Combined Load Curve

Factor of Safety = 1



**Assumptions:**  
-Loading sequence is Longitudinal, Vertical, Transverse  
-Factor of Safety applied to entire system  
-Negligible downward tip deflection  
-Static moduli values  
-Confidence level of 95%

