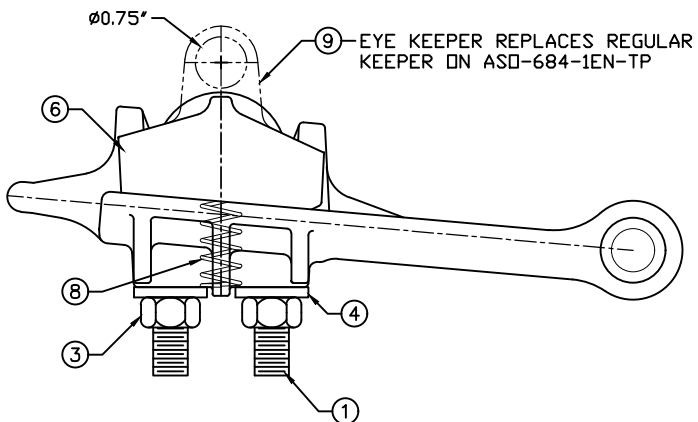
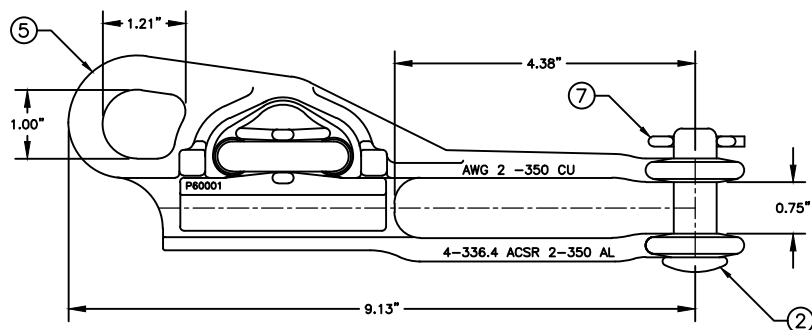
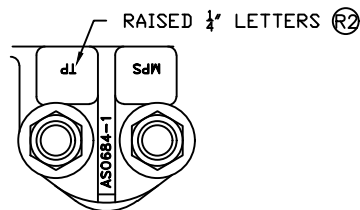


REVISIONS				
NO.	DATE	DESCRIPTION	BY	CHKD
1	6/18/16	ADDED ASO-684-1EN-TP, ADDED LOCATION FOR "TP" MARKING ON BODY.	JWM	
2	6/22/16	RELOCATED "TP" FROM BOTTOM FACE AND CHG'D TO 1/4" RAISED LETTERS.	WCL	

ITEM NO.	PART NO.	CAT. NO.	DESCRIPTION	QUANTITY			
				A	B	C	D
1	P56020	H-0201-23	1/2" U-BOLT	1	1		
2	P56093	H-0315-02	5/8" x 1-7/8" CLEVIS PIN	1	1		
3	P56138	H-0400-04-W	1/2"-13 HEX NUT FIN	2	2		
4	P56294	H-0500-04	1/2" FLATWASHER	2	2		
5	P60000T	*ASO-684-1B-TP	ASO-684-1 BODY (TIN PLT.)	1	1		
6	P60001T	*ASO-684-1K-TP	ASO-684-1 KEEPER. (TIN PLT.)	1	-		
7	P61134	M-111-3	LONG COTTER PIN 5	1	1		
8	P61190	H-0476-03	0.312" x 2.38" COMP. SPRING	1	1		
9	P82951	*ASO-684-1EK-TP	ASO-684-1 EYE KPR (TIN PLT.)	-	1		



ASSEMBLY NUMBER	REF. NO.
ASO-684-1N-TP	A
ASO-684-1EN-TP	B
-----	C
-----	D



NOTES:

1. MATERIAL - BODY AND KEEPER:
A356-T6 ALUMINUM ALLOY (TIN PLATED)

HARDWARE:
STEEL, HOT DIP GALVANIZED PER
ASTM-A153

COTTER PIN AND COMP. SPRING:
STAINLESS STEEL

2. ULTIMATE STRENGTH - BODY: 8,000 LBS.
EYE: 8,000 LBS.

3. CLAMPING RANGE - 0.25" TO 0.684"
WIRE: #4-336.4 ACSR OR #2-350 AL/CU



MACLEAN POWER SYSTEMS
A Maclean-fogg Company

HOT LINE DEAD END CLAMP
ASO-684-1N-TP & ASO-684-1EN-TP

ENG. REF.

This information is confidential and is the property of Maclean Power Systems. It may not be made public or reproduced except that the Customer may make copies for use solely in installation, maintenance, and operation of products supplied by Maclean Power Systems.

DATE: 12/07/2011	SCALE: NONE	NO.	R	SH. 1
DRAWN BY: CDR	CHKD BY:	APP. BY:	2	OF 1
BC8516-2				