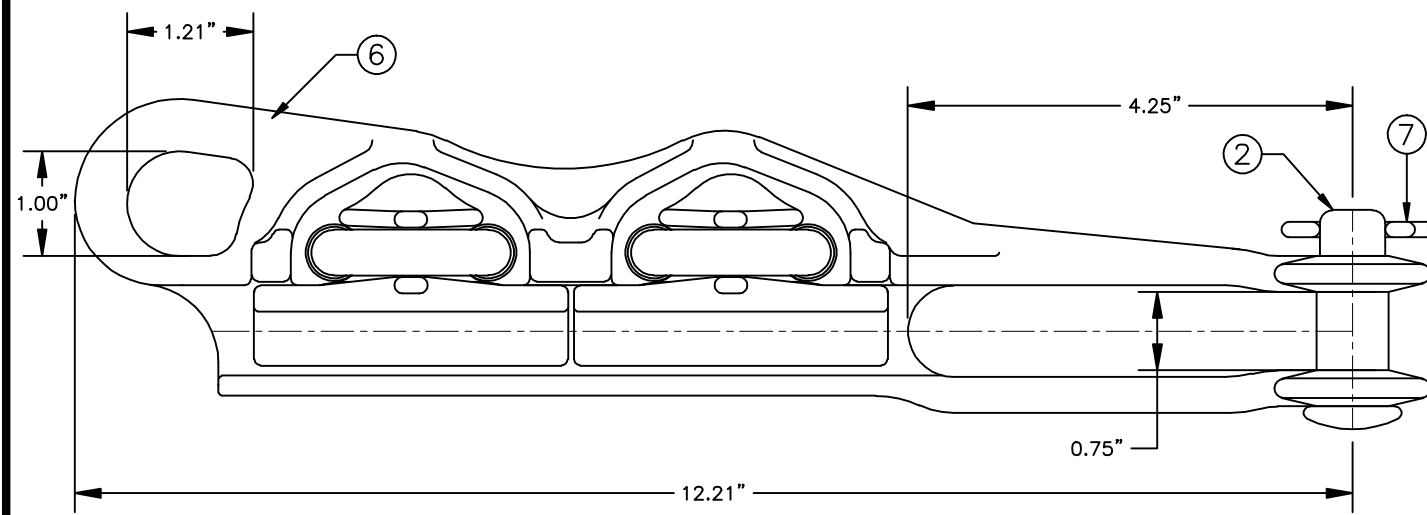


REVISIONS				
NO.	DATE	DESCRIPTION	BY	CKD

ITEM NO.	PART NO.	CAT. NO.	DESCRIPTION	QUANTITY			
				A	B	C	D
1	P56020	H-0201-23	1/2" U-BOLT	2			
2	P56093	H-0315-02	5/8" x 1-7/8" CLEVIS PIN	1			
3	P56138	H-0400-04-W	1/2"-13 HEX NUT FIN	4			
4	P56294	H-0500-04	1/2" FLATWASHER	4			
5	P60001	*ASO-684-1K	ASO-684-1 KEEPER (NEW)	2			
6	P60003	*ASO-684-2B	ASO-684-2 BODY	1			
7	P61134	M-111-3	LONG COTTER PIN 5	1			
8	P61190	H-0476-03	0.312" x 2.38" COMP. SPRING	2			



ASSEMBLY NUMBER	REF. NO.
ASO-684-2-N	A
-----	B
-----	C
-----	D

NOTES:

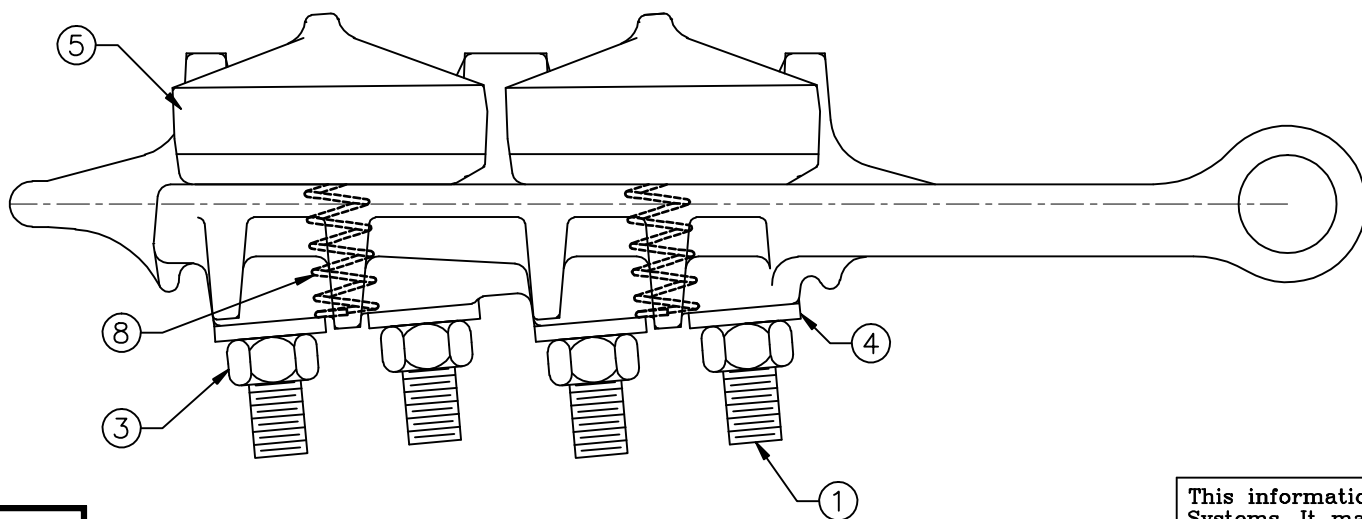
1. MATERIAL - BODY AND KEEPER:  
A356-T6 ALUMINUM ALLOY

HARDWARE:  
STEEL, HOT DIP GALVANIZED PER  
ASTM-A153


COTTER PIN AND COMP. SPRING:  
STAINLESS STEEL

2. ULTIMATE STRENGTH - BODY: 8,000 LBS.  
EYE: 8,000 LBS.

3. CLAMPING RANGE - 0.25" TO 0.684"



This information is confidential and is the property of Maclean Power Systems. It may not be made public or reproduced except that the Customer may make copies for use solely in installation, maintenance, and operation of products supplied by Maclean Power Systems.

 <b>MACLEAN POWER SYSTEMS</b> A Maclean-fogg Company	
HOT LINE DEAD END CLAMP ASO-684-2-N	
DATE: 12/07/2011	SCALE: NONE
DWN. BY: CDR	APR. BY:
CKD. BY:	
NO. BC8517-1	R / 0 SH. 1 OF 1

ENG. REF.