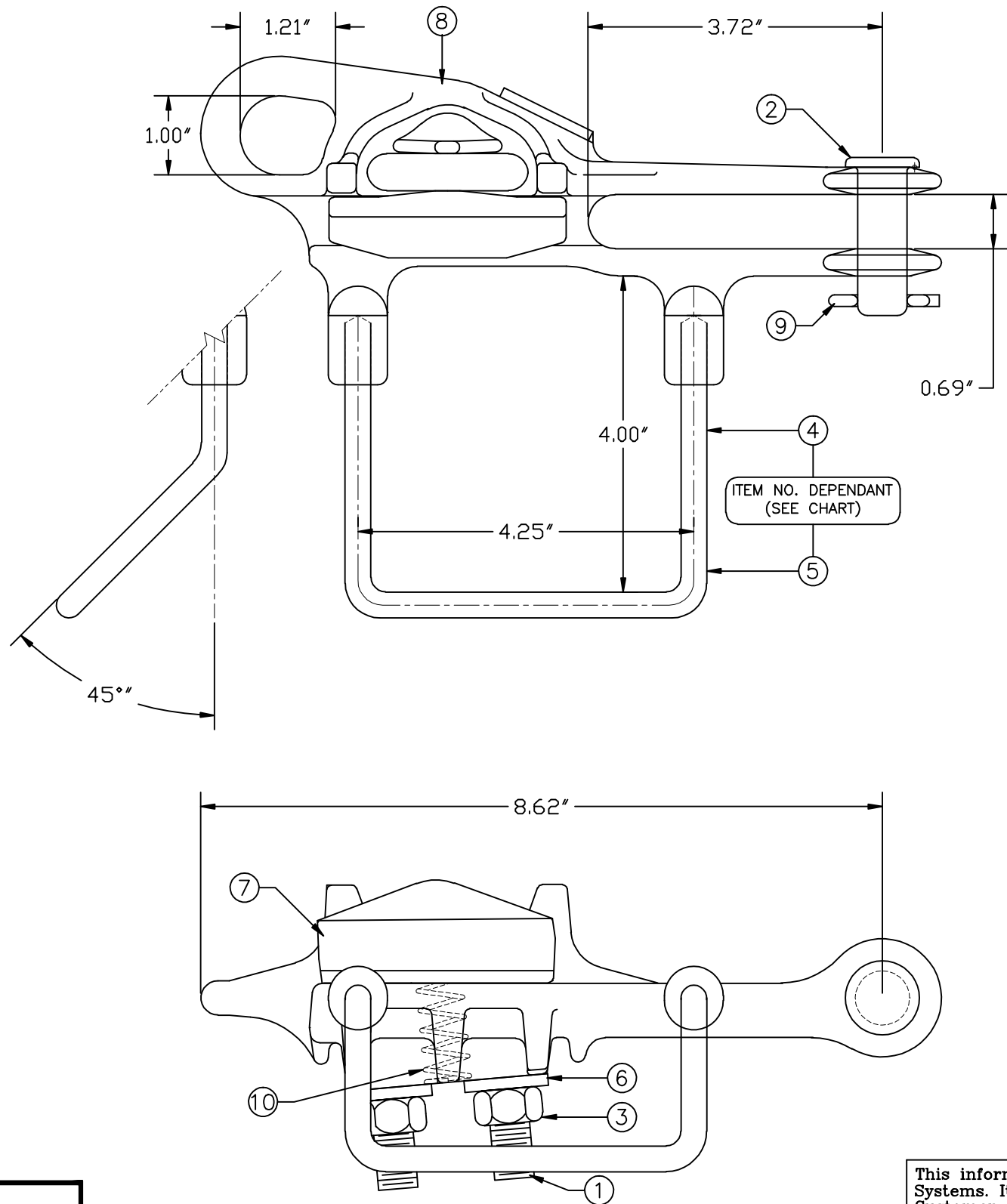


REVISIONS				
NO.	DATE	DESCRIPTION	BY	CKD



ITEM NO.	PART NO.	CAT. NO.	DESCRIPTION	QUANTITY			
				A	B	C	D
1	P56020	H-0201-23	1/2" U-BOLT	1	1		
2	P56093	H-0315-02	5/8" x 1-7/8" CLEVIS PIN	1	1		
3	P56138	H-0400-04-W	1/2"-13 HEX NUT FIN	2	2		
4	P56274	H-0490-17	STIRRUP	1	-		
5	P56274T	H-0490-17-TN	STIRRUP (TIN PLATTED)	-	1		
6	P56294	H-0500-04	1/2" FLATWASHER	2	2		
7	P60004	*ASO-570-1K	ASO-570-1 KEEPER	1	1		
8	P60006	*ASOS-570-B	ASOS-570 BODY	1	1		
9	P61134	M-111-3	LONG COTTER PIN 5	1	1		
10	P61190	H-0476-03	0.312" x 2.38" COM. SPRING	1	1		

ASSEMBLY NUMBER	REF. NO.
ASOS-570-N	A
ASOS-570-TN	B
-----	C
-----	D

NOTES:  
 1. MATERIAL - BODY AND KEEPER:  
 A356-T6 ALUMINUM ALLOY  
  
 HARDWARE:  
 STEEL, HOT DIP GALVANIZED PER  
 ASTM-A153  
  
 COTTER PIN AND COMP. SPRING:  
 STAINLESS STEEL  
  
 STIRRUP:  
 HARD DRAWN COPPER (TIN PLT.)  
  
 2. ULTIMATE STRENGTH - BODY: 8,000 LBS.  
 EYE: 8,000 LBS.  
  
 3. CLAMPING RANGE - 0.25" TO 0.57"

**MACLEAN POWER SYSTEMS**  
 A Maclean-fogg Company

HOT LINE DEAD END CLAMP  
 ASOS-570-N, ASOS-570-TN

ENG. REF.

This information is confidential and is the property of Maclean Power Systems. It may not be made public or reproduced except that the Customer may make copies for use solely in installation, maintenance, and operation of products supplied by Maclean Power Systems.

DATE: 12/07/2011	SCALE: NONE	NO.	BC8520-1	R / 0	SH. 1 / OF 1
DWN. BY: CDR	CKD. BY:	APR. BY:			