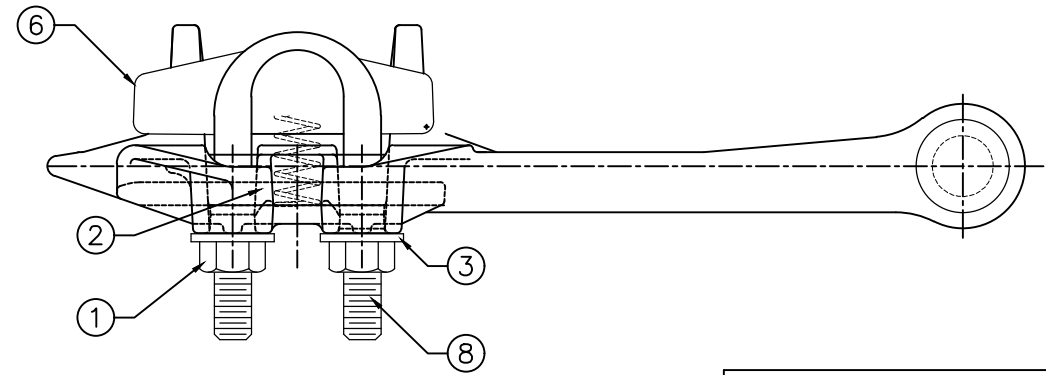
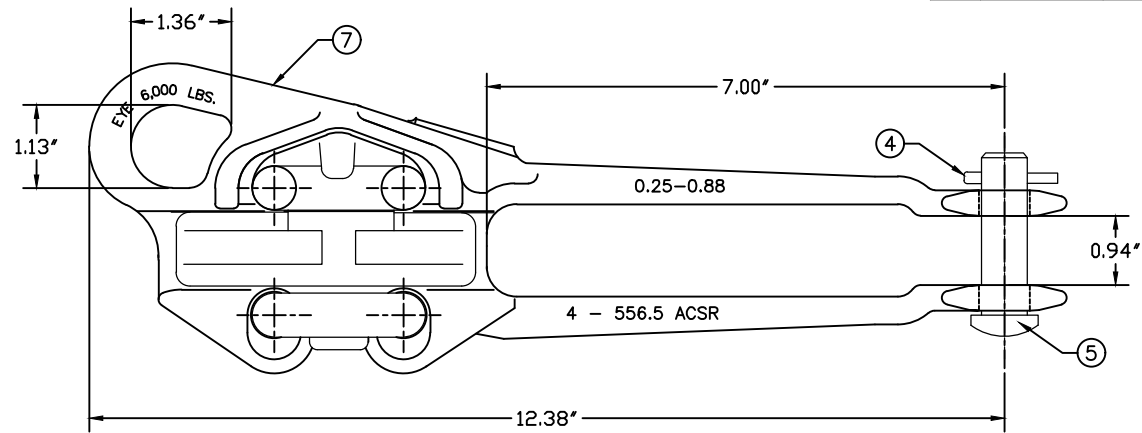


| REVISIONS |      |             |    |     |
|-----------|------|-------------|----|-----|
| NO.       | DATE | DESCRIPTION | BY | CKD |
|           |      |             |    |     |

| ASSEMBLY NUMBER | REF. NO. |
|-----------------|----------|
| HDSO-88L7-SCE   | A        |
| -----           | B        |
| -----           | C        |
| -----           | D        |

| ITEM NO. | PART NO. | CAT. NO.     | DESCRIPTION               | QUANTITY |   |   |   |
|----------|----------|--------------|---------------------------|----------|---|---|---|
|          |          |              |                           | A        | B | C | D |
| 1        | P56138   | H-0400-04-W  | 1/2"-13 HEX NUT FIN       | 4        |   |   |   |
| 2        | P56230   | H-0470-06    | 0.5" x 2.75" SPRING       | 1        |   |   |   |
| 3        | P56294   | H-0500-04    | 1/2" FLATWASHER           | 4        |   |   |   |
| 4        | P61134   | M-111-3      | LONG COTTER PIN           | 1        |   |   |   |
| 5        | P61165   | H-0315-04    | 5/8" x 2-9/16" CLEVIS PIN | 1        |   |   |   |
| 6        | P62159   | *HDSO-88-K   | HDSO-88 KEEPER            | 1        |   |   |   |
| 7        | P62161   | *HDSO-88L7-B | HDSO-88L7 BODY            | 1        |   |   |   |
| 8        | P62681W  | H-0201-32W   | 1/2" STEEL U-BOLT WAXED   | 2        |   |   |   |



- NOTES:
- MATERIAL - BODY AND KEEPER:  
A356-T6 ALUMINUM ALLOY
  - HARDWARE:  
STEEL, HOT DIP GALVANIZED PER  
ASTM-A153
  - COTTER PIN AND COMP. SPRING:  
STAINLESS STEEL
  - ULTIMATE STRENGTH - BODY: 10,000 LBS.  
EYE: 6,000 LBS.
  - CLAMPING RANGE - 0.25" TO 0.88"

**MACLEAN POWER SYSTEMS**  
A Maclean-fogg Company

HOT LINE DEAD END CLAMP  
HDSO-88L7-SCE

This information is confidential and is the property of Maclean Power Systems. It may not be made public or reproduced except that the Customer may make copies for use solely in installation, maintenance, and operation of products supplied by Maclean Power Systems.

|                  |             |          |          |       |      |
|------------------|-------------|----------|----------|-------|------|
| DATE: 12/08/2011 | SCALE: NONE | NO.      | BC8533-1 | R / 0 | SL 1 |
| DRN. BY: CDR     | CKD. BY:    | APR. BY: |          |       | CF 1 |

ENG. REF.