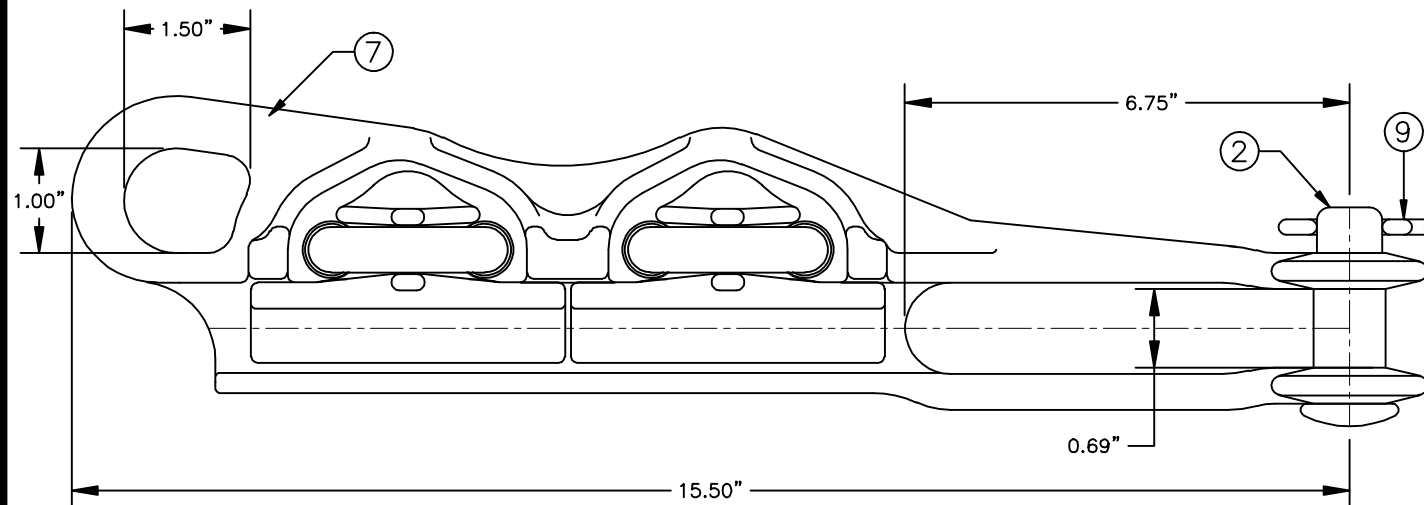


REVISIONS				
NO.	DATE	DESCRIPTION	BY	CKD



ITEM NO.	PART NO.	CAT. NO.	DESCRIPTION	QUANTITY			
				A	B	C	D
1	P56023	H-0201-26	1/2" U-BOLT	2	2		
2	P56094	H-0315-03	5/8" x 2-1/16" CLEVIS PIN	1	1		
3	P56138	H-0400-04-W	1/2"-13 HEX NUT FIN	4	4		
4	P56226	H-0470-02	COMPRESSION SPRING	2	2		
5	P56294	H-0500-04	1/2" FLATWASHER	4	4		
6	P56399	H-0520-04	1/2" LOCKWASHER	-	4		
7	P59205	P-0615-01	ASO-1259-2 BODY	1	1		
8	P59206	P-0616	ASO-1259-2 KEEPER	2	2		
9	P61134	M-111-3	LONG COTTER PIN 5	1	1		

ASSEMBLY NUMBER	REF. NO.
ASO-1259-2-N	A
ASO-1259-2-N-LW	B
-----	C
-----	D

NOTES:

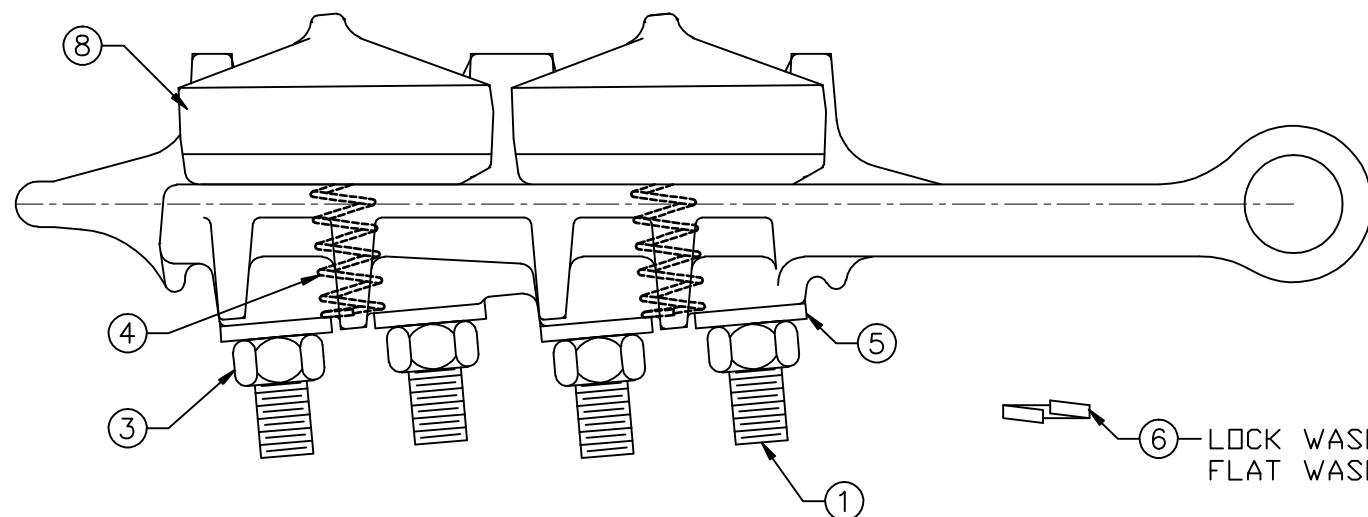
1. MATERIAL - BODY AND KEEPER:
A356-T6 ALUMINUM ALLOY

HARDWARE:
STEEL, HOT DIP GALVANIZED PER
ASTM-A153

COTTER PIN AND COMP. SPRING:
STAINLESS STEEL

2. ULTIMATE STRENGTH - BODY: 15,000 LBS.
EYE: 11,250 LBS.

3. CLAMPING RANGE - 0.666" TO 1.263"



This information is confidential and is the property of Maclean Power Systems. It may not be made public or reproduced except that the Customer may make copies for use solely in installation, maintenance, and operation of products supplied by Maclean Power Systems.

MACLEAN POWER SYSTEMS
A Maclean-fogg Company

HOT LINE DEAD END CLAMP
ASO-1259-2-N, ASO-1259-2-N-LW

ENG. REF.

DATE: 12/09/2011 SCALE: NONE NO. BC8536-1 R/0 SH. 1 OF 1
DWN. BY: CDR CKD. BY: APR. BY: