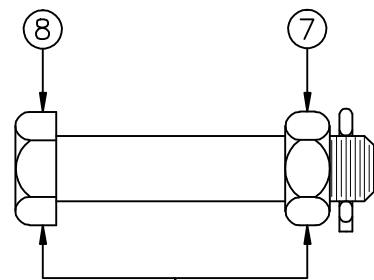
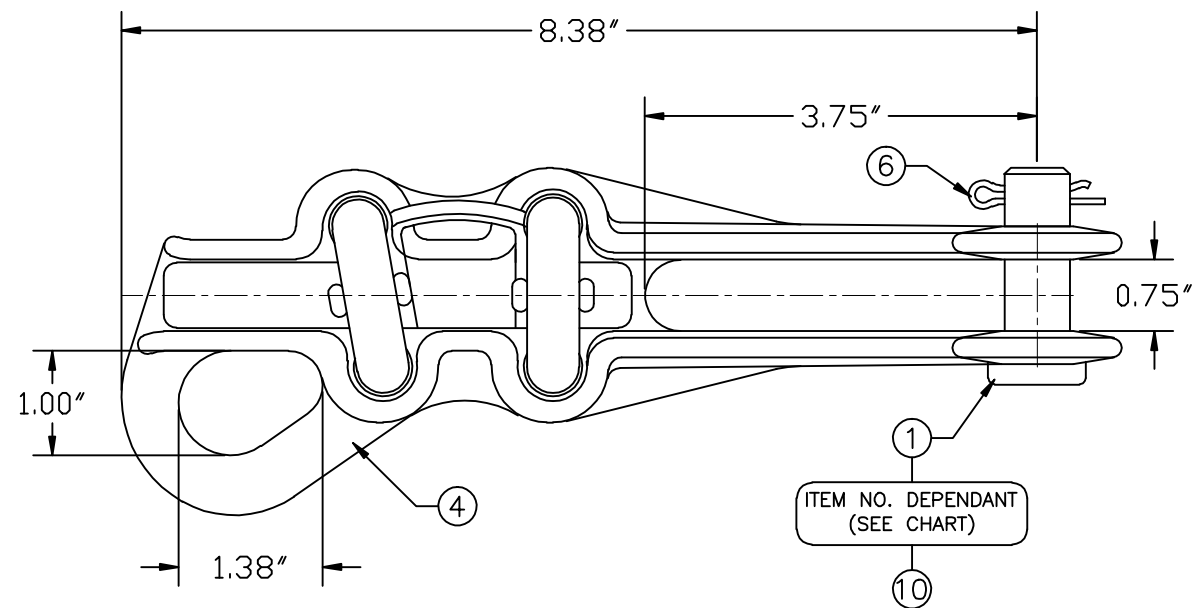


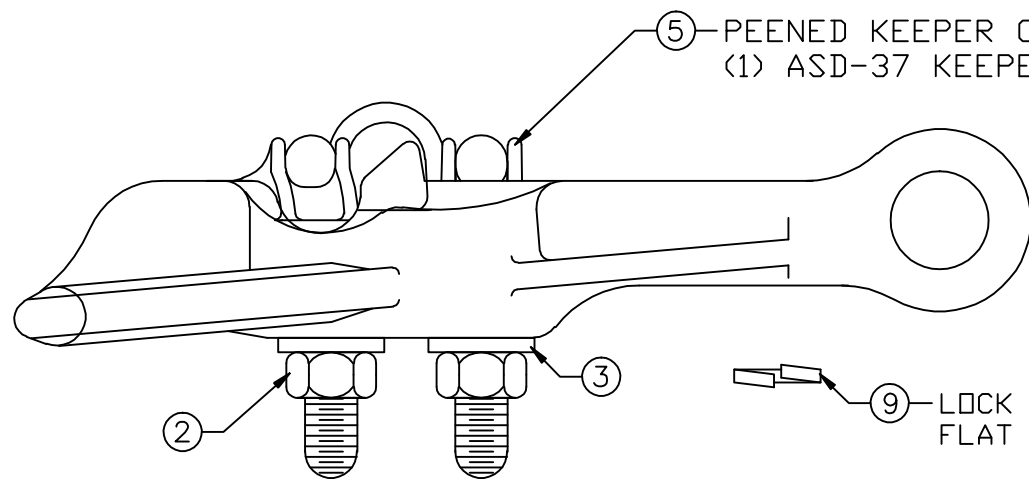
REVISIONS				
NO.	DATE	DESCRIPTION	BY	CKD



REPLACES CLEVIS PIN IN
ASD-37-N-BC AND ASD-37N-LW-BC



ITEM NO. DEPENDANT
(SEE CHART)



PEENED KEEPER CONSISTS OF
(1) ASD-37 KEEPER AND (2) H-0201-04 U-BOLTS

LOCK WASHERS TO BE APPLIED UNDER
FLAT WASHERS FOR BOTH "LW" VERSIONS

ITEM NO.	PART NO.	CAT. NO.	DESCRIPTION	QUANTITY			
				A	B	C	D
1	P56093	H-0315-02	5/8"φ x 1-7/8" CLEVIS PIN	1	-	-	-
2	P56138	H-0400-04-W	1/2"-13 HEX NUT FIN	4	4	4	4
3	P56294	H-0500-04	1/2" FLATWASHER	4	4	4	4
4	P59378	P-0810-02	ASD-37 BODY	1	1	1	1
5	P59380	P-0811-01-P	ASD/DE-37 PEENED KEEPER	1	1	1	1
6	P61134	M-111-3	LONG COTTER PIN	1	1	1	1
7	P56157	H-0402-05	5/8" HEX JAM NUT	-	1	1	-
8	P62601	H-0705-2500	5/8"φ CLEVIS BOLT	-	1	1	-
9	P56399	H-0520-04	1/2" LOCKWASHER	-	-	4	4
10	P61165	H-0315-04	5/8"φ x 2-9/16" CLEVIS PIN	-	-	-	1

ASSEMBLY NUMBER	REF. NO.
ASD-37-N	A
ASD-37-N-BC	B
ASD-37N-LW-BC	C
ASD-37NLW-LKP	D

NOTES:

1. MATERIAL - BODY AND KEEPER:
A356-T6 ALUMINUM ALLOY

HARDWARE:
STEEL, HOT DIP GALVANIZED PER
ASTM-A153

COTTER PIN:
STAINLESS STEEL

2. ULTIMATE STRENGTH - BODY: 10,000 LBS.
EYE: 10,000 LBS.

3. CLAMPING RANGE - 0.25" TO 0.75"



STRAIGHT STRAIN CLAMP
ASD-37-N, ASD-37-N-BC,
ASD-37N-LW-BC, ASD-37NLW-LKP

This information is confidential and is the property of Maclean Power Systems. It may not be made public or reproduced except that the Customer may make copies for use solely in installation, maintenance, and operation of products supplied by Maclean Power Systems.

DATE: 12/09/2011	SCALE: NONE	NO.	BC8540-1	R / 0	SH. 1 / OF 1
DWN. BY: CDR	CKD. BY:	APR. BY:			

ENG. REF.