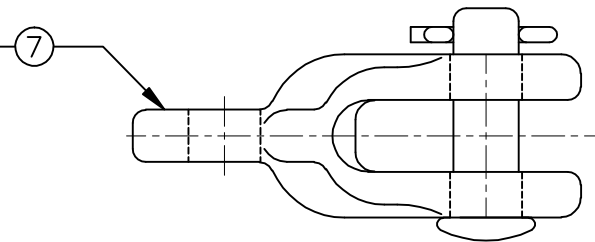
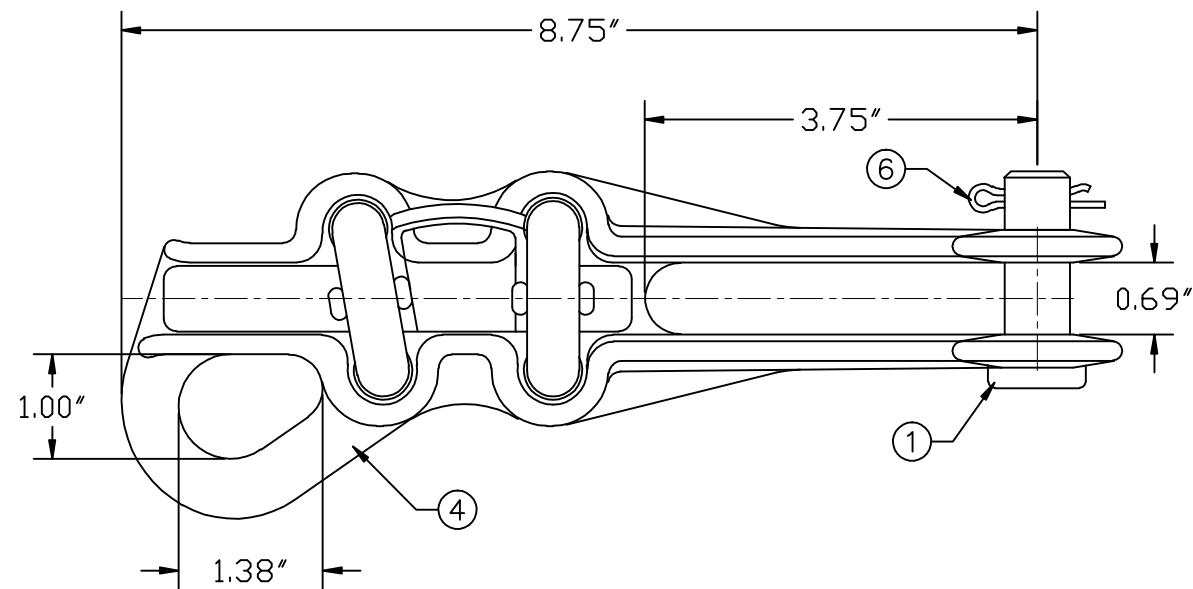


REVISIONS				
NO.	DATE	DESCRIPTION	BY	CKD

ASSEMBLE CLEVIS EYE TO CLAMP BODY FOR ASD-34-C



ITEM NO.	PART NO.	CAT. NO.	DESCRIPTION	QUANTITY			
				A	B	C	D
1	P56092	H-0315-01	5/8"φ x 1-3/4" CLEVIS PIN	1	1	1	
2	P56138	H-0400-04-W	1/2"-13 HEX NUT FIN	4	4	4	
3	P56294	H-0500-04	1/2" FLATWASHER	4	4	4	
4	P59374	*ASD-34B	ASD-34 BODY	1	1	1	
5	P59376	P-0809-01-P	ASD-34 PEENED KEEPER	1	1	1	
6	P61134	M-111-3	LONG COTTER PIN	1	1	1	
7	F327214	SCE-55-625	STRAIGHT CLEVIS EYE	-	1	-	
8	P56399	H-0520-04	1/2" LOCKWASHER	-	-	4	



ASSEMBLY NUMBER	REF. NO.
ASD-34-N	A
ASD-34-C	B
ASD-34-N-LW	C
-----	D

NOTES:

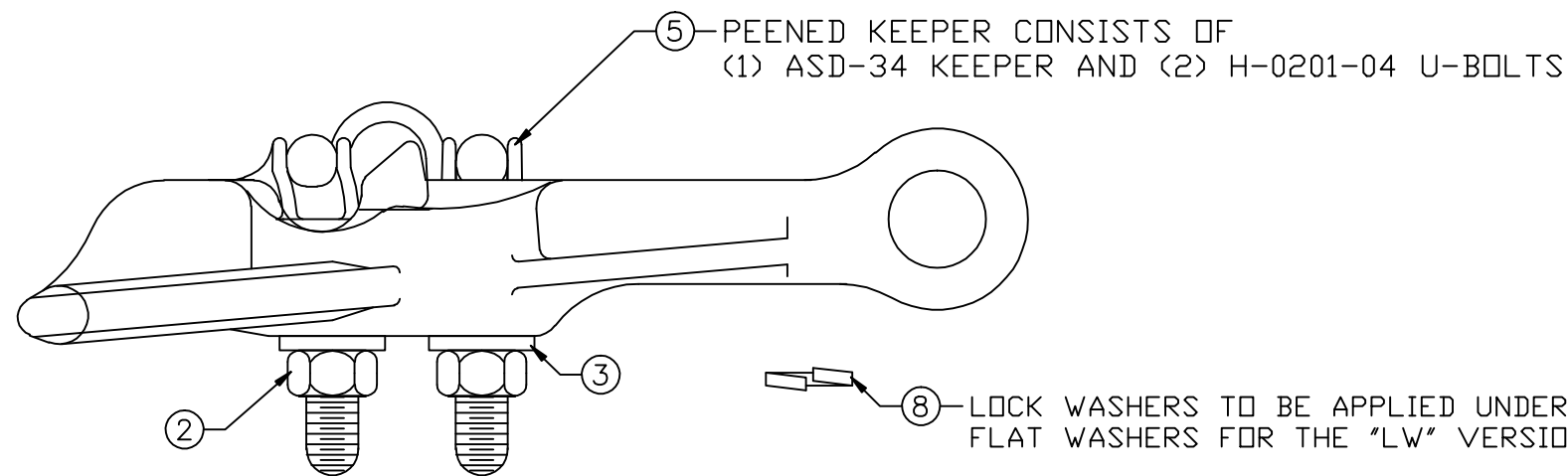
1. MATERIAL - BODY AND KEEPER:
A356-T6 ALUMINUM ALLOY

HARDWARE:
STEEL, HOT DIP GALVANIZED PER
ASTM-A153

COTTER PIN:
STAINLESS STEEL

2. ULTIMATE STRENGTH - BODY: 8,500 LBS.
EYE: 8,000 LBS.

3. CLAMPING RANGE - 0.19" TO 0.60"



MACLEAN POWER SYSTEMS
A Maclean-fogg Company

STRAIGHT STRAIN CLAMP
ASD-34-N, ASD-34-C, ASD-34-N-LW

DATE: 12/13/2011 SCALE: NONE NO. BC8542-1

DWN. BY: CDR CKD. BY: APR. BY: R/0 SH. 1 OF 1

This information is confidential and is the property of Maclean Power Systems. It may not be made public or reproduced except that the Customer may make copies for use solely in installation, maintenance, and operation of products supplied by Maclean Power Systems.

ENG. REF.