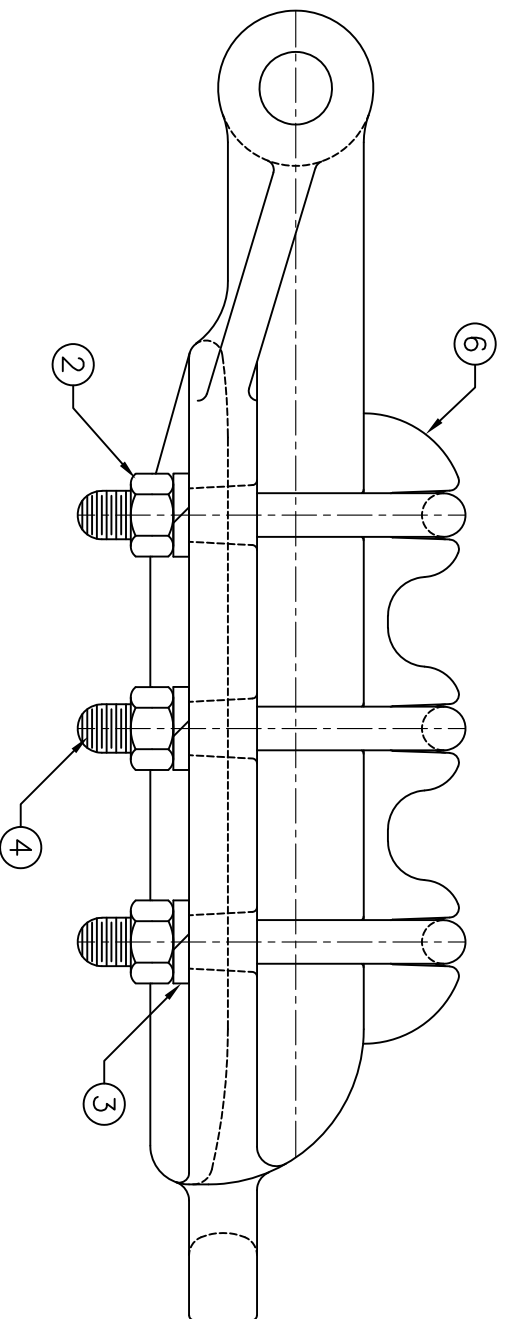
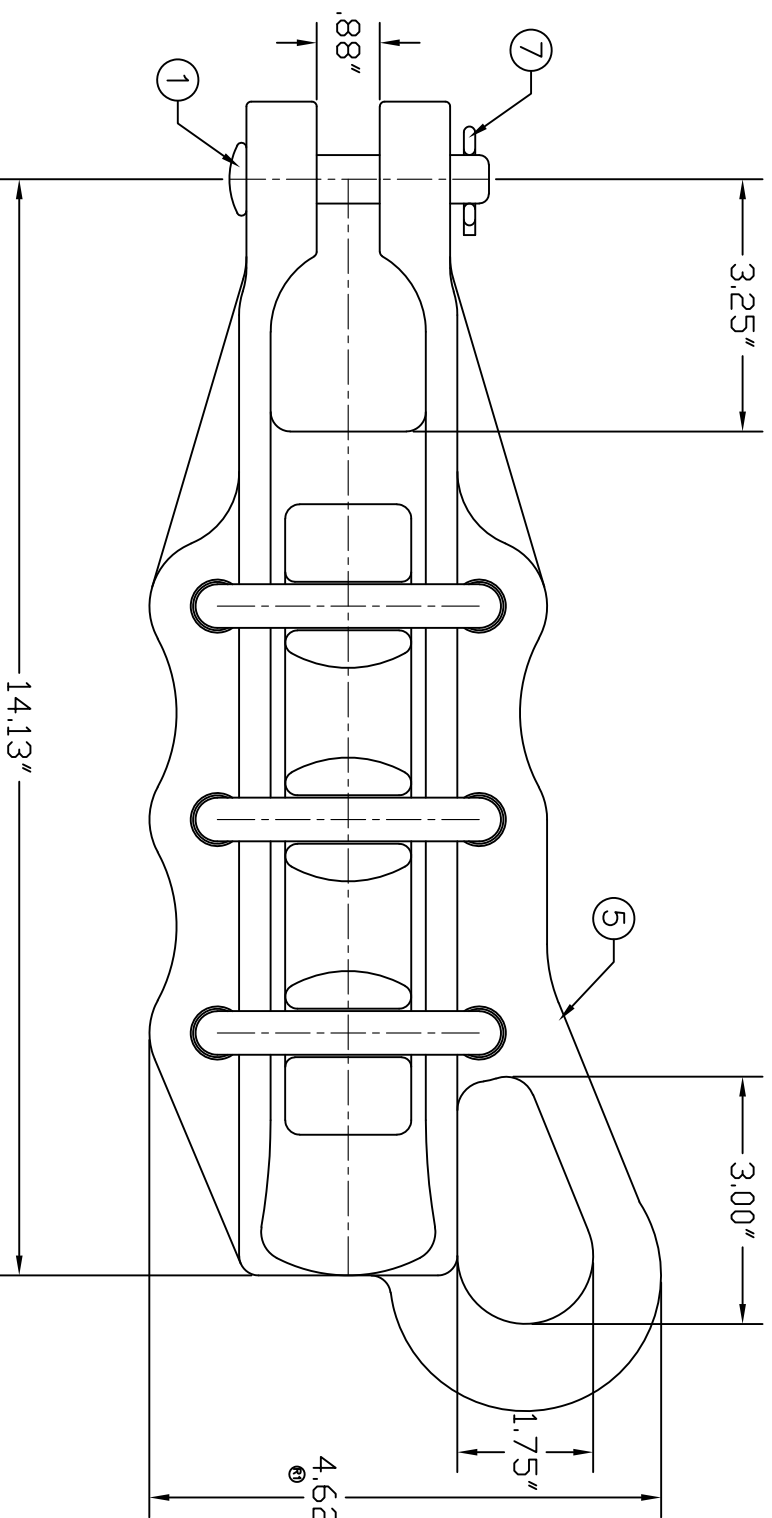


REVISIONS			
NO.	DATE	DESCRIPTION	BY CKD
1	04/30/20	ADDED TOTAL WIDTH DIMENSION	KMK



ITEM NO.	PART NO.	CAT. NO.	DESCRIPTION	QUANTITY			
				A	B	C	D
1	P56059	H-0300-04	5/8"Ø CLEVIS PIN	1			
2	P56140	H-0400-05-W	5/8"-11 HEX NUT FIN	6			
3	P56401	H-0520-05	5/8" LOCKWASHER	6			
4	P56479	M-0006-10	5/8" U-BOLT	3			
5	P59799	P-6136-01	SG-200-BH BODY	1			
6	P59800	P-6137-01	SG-200-BH KEEPER	1			
7	P61134	M-111-3	LONG COTTER PIN	1			

ASSEMBLY NUMBER	REF. NO.
ASD-92-N	A
	B
	C
	D

NOTES:

1. MATERIAL - BODY AND KEEPER: A356-T6 ALUMINUM ALLOY

HARDWARE:
STEEL, HOT DIP GALVANIZED PER
ASTM-A153

COTTER PIN:
STAINLESS STEEL

2. ULTIMATE STRENGTH - BODY: 25,000 LBS.
EYE: 18,750 LBS.
3. CLAMPING RANGE - 1.38" TO 2.00"



STRAIGHT STRAIN CLAMP
ASD-92-N

ENG. REF.

This information is confidential and is the property of Maclean Power Systems. It may not be made public or reproduced except that the Customer may make copies for use solely in installation, maintenance, and operation of products supplied by Maclean Power Systems.

DATE: 12/13/2011	SCALE: NONE	NO.	R	SH. 1
DMN: CDR	CKD: BY:	APR: BY:	1	OF 1

BC8546-1