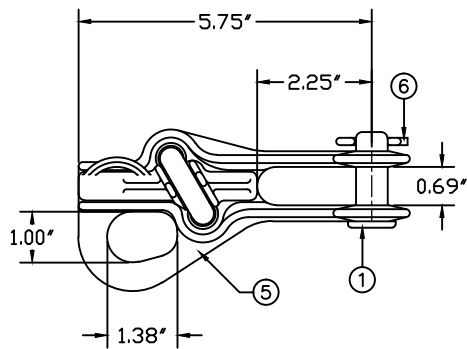
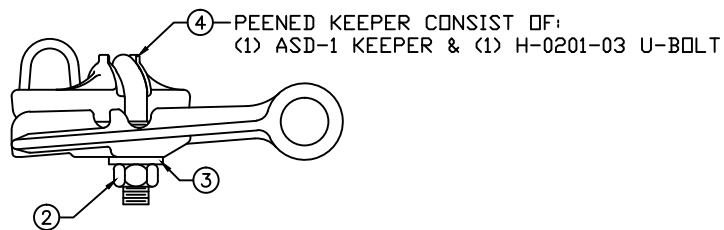


REVISIONS				
NO.	DATE	DESCRIPTION	BY	CKD

ITEM NO.	PART NO.	CAT. NO.	DESCRIPTION	QUANTITY			
				A	B	C	D
1	P56092	H-0315-01	5/8"φ x 1-3/4" CLEVIS PIN	1			
2	P56138	H-0400-04-W	1/2"-13 HEX NUT FIN	2			
3	P56294	H-0500-04	1/2" FLATWASHER	2			
4	P59315	P-0757-01-P	ASD-1 PEENED KEEPER	1			
5	P59416	*ASD-1B	ASD-1 BODY CASTIN	1			
6	P61134	M-111-3	LONG COTTER PIN	1			




ASSEMBLY NUMBER	REF. NO.
ASD-1-N	A
	B
	C
	D



NOTES:

- MATERIAL - BODY AND KEEPER:  
A356-T6 ALUMINUM ALLOY  
  
HARDWARE:  
STEEL, HOT DIP GALVANIZED PER  
ASTM-A153  
  
COTTER PIN:  
STAINLESS STEEL
- ULTIMATE STRENGTH - BODY: 7,000 LBS.  
EYE: 6,000 LBS.
- CLAMPING RANGE - 0.15" TO 0.47"
- RECOMMENDED TORQUE - 45 FT-LBS.

 <b>MACLEAN POWER SYSTEMS</b> A Maclean-fogg Company	
STRAIGHT STRAIN CLAMP ASD-1-N	
DATE: 12/14/2011	SCALE: NONE
NO. BC8551-1	R 0
DRAWN BY: CDR	CHKD BY: [ ]
APP. BY: [ ]	REV. 1

This information is confidential and is the property of Maclean Power Systems. It may not be made public or reproduced except that the Customer may make copies for use solely in installation, maintenance, and operation of products supplied by Maclean Power Systems.

ENG. REF.