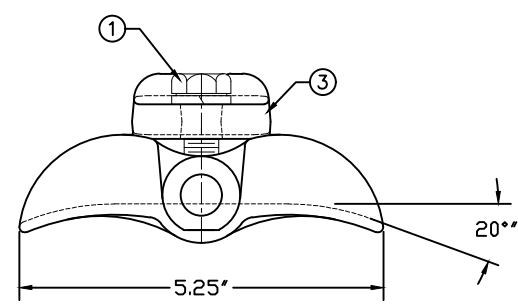
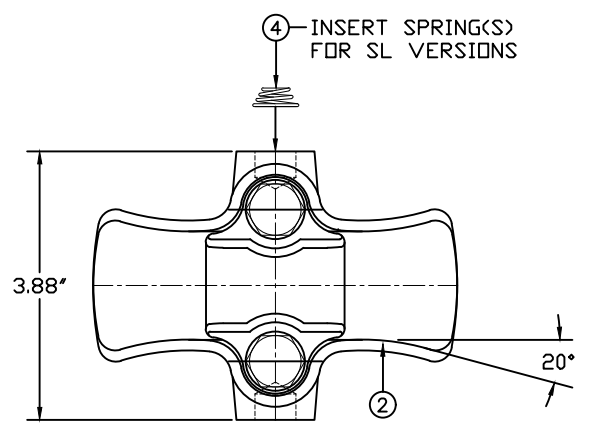


REVISIONS				
NO.	DATE	DESCRIPTION	BY	CHKD
1	1/25/19	ADDED NOTE 4	BS	

ITEM NO.	PART NO.	CAT. NO.	DESCRIPTION	QUANTITY			
				A	B	C	D
1	P56046	H-0241-02	1/2" SEMSBOLT	2	2	2	
2	P59518	P-6184-01	ACTS-150 BODY MAC	1	1	1	
3	P59519	*ACTS-150K	ACTS-150 KEEPER	1	1	1	
4	P60279	H-0480-02	CONICAL COMPRESSION SPRING	-	1	2	

ASSEMBLY NUMBER	REF. NO.
ACTS-150	A
ACTS-150-SL-1	B
ACTS-150-SL-2	C
	D



- NOTES:
- MATERIAL - BODY AND KEEPER:
A356-T6 ALUMINUM ALLOY
 - ULTIMATE STRENGTH: 5,000 LBS.
 - CLAMPING RANGE - 0.93" TO 1.50"
 - CLAMP IS SUITABLE FOR HIGH TEMP ACSS UP TO 250 DEG. C. WHEN ARMOR ROD OR LINE GUARD IS USED.
- HARDWARE:
STEEL, HOT DIP GALVANIZED PER ASTM-A153
- SPRING:
STAINLESS STEEL

MACLEAN POWER SYSTEMS
A Maclean-fogg Company

TOP LINE POST INSULATOR CLAMP
ACTS-150, ACTS-150-SL-1, ACTS-150-SL-2

DATE: 12/28/2011	SCALE: NONE	NO.	BC8583-1	R	1
DRAWN BY: CDR	CHKD BY:	APP. BY:		DF	1

ENG. REF.

This information is confidential and is the property of Maclean Power Systems. It may not be made public or reproduced except that the Customer may make copies for use solely in installation, maintenance, and operation of products supplied by Maclean Power Systems.