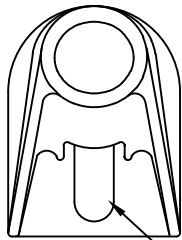


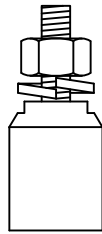
REVISIONS

NO.	DATE	DESCRIPTION	BY	CKD
1	07/09/20	ADDED 18" OPTION	MBG	
1	11/15/21	CHANGED PAINT OPTION TO VEIL	BHB	

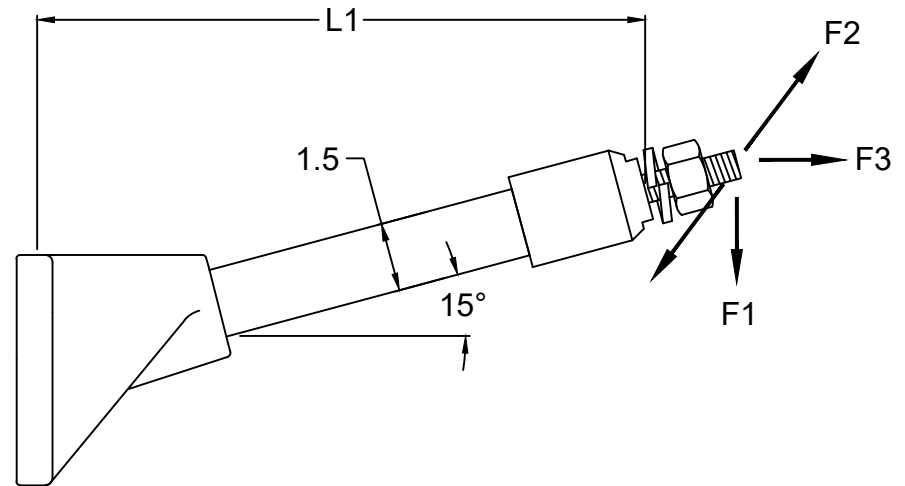
CATALOG NUMBER		LENGTHS (IN)	ULTIMATE MECHANICAL STRENGTHS (LBS)		
POLYURETHANE COATED SERIES	SILICONE RUBBER COATED SERIES	L1	VERTICAL	LONGITUDINAL	TRANSVERSE
G1MAJ112DF	G1MAJ112DFSC	12	1000	800	1500
G1MAJ116DF	G1MAJ116DFSC	16	750	600	1500
G1MAJ118DF	G1MAJ118DFSC	18	650	525	1500



11/16" SLOT  
BASE VIEW



END FITTING VIEW



NOTES:

- 1.0 MATERIAL
  - 1.1 BASE - ALUMINUM, A356-T6
  - 1.2 END FITTING - DUCTILE IRON GRADE 654512
  - 1.3 ROD - FIBERGLASS
- 2.0 FINISH
  - 2.1 BASE - NONE
  - 2.2 END FITTING - HOT DIP GALVANIZED PER ASTM-A-153
  - 2.3 ROD - ULTRAVIOLET PROTECTIVE VEIL COATING, GRAY (OPTIONAL) - VULCANIZED SILICONE RUBBER, GRAY
- 3.0 DIMENSIONS IN INCHES



**MACLEAN POWER SYSTEMS**  
A Maclean-fogg Company

G1MAJ1-"L"-DF SERIES  
SINGLE PHASE JUMPER BRACKET

This information is confidential and is the property of Maclean Power Systems. It may not be made public or reproduced except that the Customer may make copies for use solely in installation, maintenance, and operation of products supplied by Maclean Power Systems.

DATE: 03/23/17	SCALE: 1:1	NO.:	CEB-3474B	R/2	SH/DF
OWN: MBG	CD: [ ]	APR: [ ]			

ENG. REF.