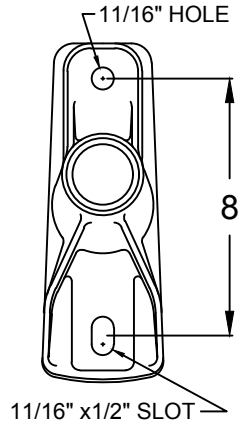
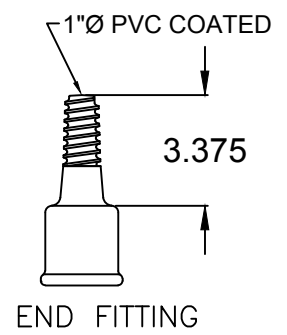
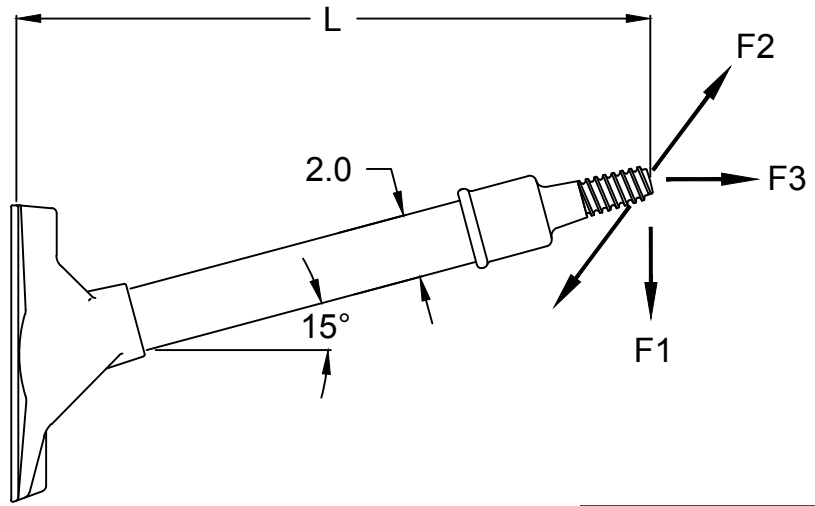


REVISIONS				
NO.	DATE	DESCRIPTION	BY	CKD



BASE VIEW



CATALOG NUMBER		LENGTHS (IN)	ULTIMATE MECHANICAL STRENGTHS (LBS)		
POLYURETHANE COATED SERIES	SILICONE RUBBER COATED SERIES		L1	VERTICAL	LONGITUDINAL
G1HDA112AS1	G1HDA112AS1SC	12	3000	2400	2500
G1HDA118AS1	G1HDA118AS1SC	18	2200	1600	2500
G1HDA124AS1	G1HDA124AS1SC	24	1750	1200	2500
G1HDA130AS1	G1HDA130AS1SC	30	1400	950	2500
G1HDA136AS1	G1HDA136AS1SC	36	1100	800	2500

NOTES:

- 1.0 MATERIAL
 - 1.1 BASE - DUCTILE IRON 654512
 - 1.2 END FITTING - ALUMINUM, A356-T6
 - 1.3 ROD - FIBERGLASS
- 2.0 FINISH
 - 2.1 BASE - HOT DIP GALVANIZED PER ASTM-A-153
 - 2.2 END FITTING - NONE
 - 2.3 ROD - ULTRAVIOLET PROTECTIVE COATING, MUNSEL GRAY (OPTIONAL) - VULCANIZED SILICONE RUBBER, GRAY
- 3.0 DIMENSIONS IN INCHES

MACLEAN POWER SYSTEMS
A Maclean-fogg Company

G1HDA1-"L"-AS1 SERIES
SINGLE PHASE, ANGLED STRAIGHT PIN BRACKET

ENG. REF.

This information is confidential and is the property of Maclean Power Systems. It may not be made public or reproduced except that the Customer may make copies for use solely in installation, maintenance, and operation of products supplied by Maclean Power Systems.

DATE: 2-23-11	SCALE: 1:1	NO.:	R	SPL
CHK: KK	CRD: BK	APR: BK	0	DF
NO. CEB-3780				