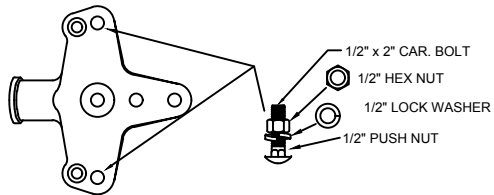
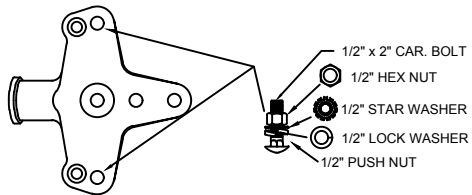


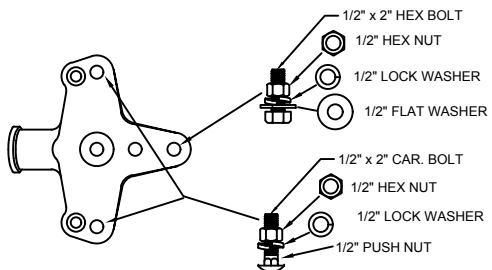
END FITTING VIEW (3:4 SCALE)
- "AT" or "ATSC" SUFFIX



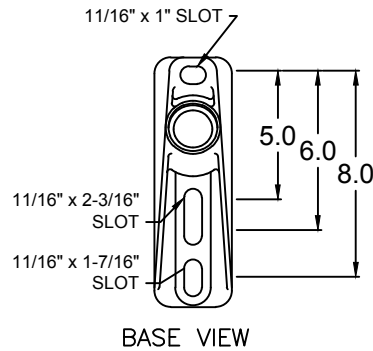
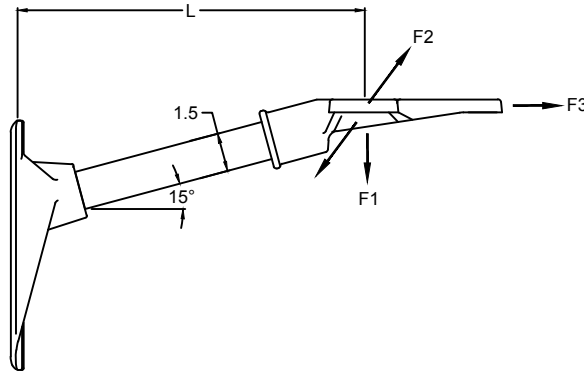
END FITTING VIEW (3:4 SCALE)
- "ATB" or "ATBC" SUFFIX



END FITTING VIEW (3:4 SCALE)
- "ATW" or "ATWC" SUFFIX



END FITTING VIEW (3:4 SCALE)
- "ATX" SUFFIX



BASE VIEW

NOTES:

- 1.0 MATERIAL
 - 1.1 BASE - DUCTILE IRON GRADE 654512
 - 1.2 END FITTING - ALUMINUM, A356-T6
 - 1.3 ROD - FIBERGLASS
- 2.0 FINISH
 - 2.1 BASE - HOT DIP GALVANIZED PER ASTM-A-153
 - 2.2 END FITTING - NONE
 - 2.3 ROD - ULTRAVIOLET PROTECTIVE COATING, MUNSSEL GRAY (OPTIONAL) - VULCANIZED SILICONE RUBBER, GRAY
- 3.0 DIMENSIONS IN INCHES

CATALOG NUMBER		LENGTHS (IN)	ULTIMATE MECHANICAL STRENGTHS (LBS)		
POLYURETHANE COATED SERIES	SILICONE RUBBER COATED SERIES		L1	VERTICAL	LONGITUDINAL
G1MDA112AT	G1MDA112ATSC	12	1800	1400	10000
G1MDA115AT	G1MDA115ATSC	15	1500	1150	10000
G1MDA118AT	G1MDA118ATSC	18	1200	900	10000
G1MDA121AT	G1MDA121ATSC	21	1025	775	10000
G1MDA124AT	G1MDA124ATSC	24	900	700	10000

CATALOG NUMBER		LENGTHS (IN)	ULTIMATE MECHANICAL STRENGTHS (LBS)		
POLYURETHANE COATED SERIES	SILICONE RUBBER COATED SERIES		L1	VERTICAL	LONGITUDINAL
G1MDA112ATB	G1MDA112ATBC	12	1800	1400	10000
G1MDA115ATB	G1MDA115ATBC	15	1500	1150	10000
G1MDA118ATB	G1MDA118ATBC	18	1200	900	10000
G1MDA121ATB	G1MDA121ATBC	21	1025	775	10000
G1MDA124ATB	G1MDA124ATBC	24	900	700	10000

REVISIONS

NO.	DATE	DESCRIPTION	BY	CHKD

MACLEAN POWER SYSTEMS
A Maclean-fogg Company

G1MDA1-"L"-AT SERIES
SINGLE PHASE BRACKET WITH GIACB END

ENG. REF.

This information is confidential and is the property of Maclean Power Systems. It may not be made public or reproduced except that the Customer may make copies for use solely in installation, maintenance, and operation of products supplied by Maclean Power Systems.

DATE: 4-15-11 SCALE: 1:1 NO. CEB-3792 R 0 SHL OF