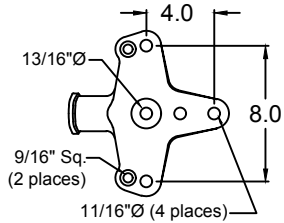
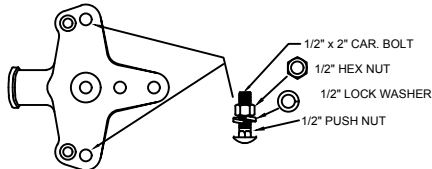


REVISIONS

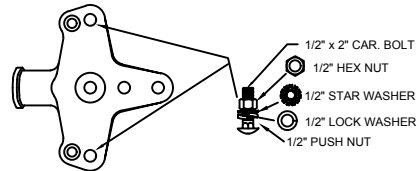
NO.	DATE	DESCRIPTION	BY	CHK
1	03/24/14	ADDED 4313 SIZE.	WCL	WCL



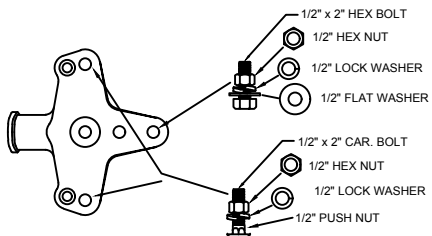
END FITTING VIEW (3:4 SCALE)
-AT OR -ATSC SUFFIX



END FITTING VIEW (3:4 SCALE)
-ATB OR -ATBC SUFFIX (OPTIONAL)

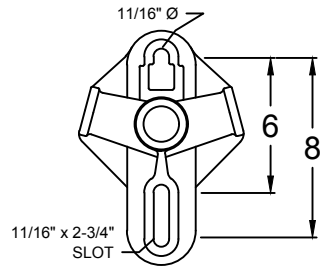


END FITTING VIEW (3:4 SCALE)
-ATW OR -ATWC SUFFIX (OPTIONAL)

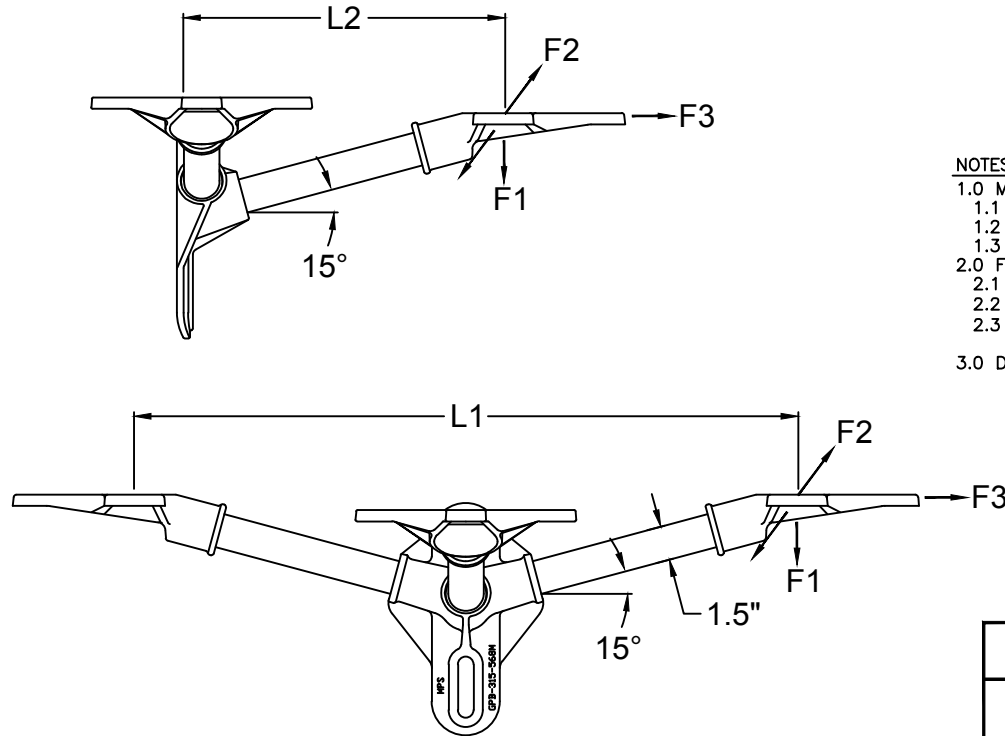


END FITTING VIEW (3:4 SCALE)
-ATX SUFFIX (OPTIONAL)

ENG. REF.



END FITTING VIEW



CATALOG NUMBER		LENGTHS (IN)		ULTIMATE MECHANICAL STRENGTHS (LBS)		
POLYURETHANE COATED SERIES	SILICONE RUBBER COATED SERIES	L1	L2	F1 VERT.	F2 LONG.	F3 TRANS.
G3MAA13613AT	G3MAA13613ATSC	36	13	1200	900	10000
G3MAA13618AT	G3MAA13618ATSC	36	18	1200	900	10000
G3MAA14313AT	G3MAA14313ATSC	43	13	1000	675	10000
G3MAA14813AT	G3MAA14813ATSC	48	13	900	675	10000
G3MAA14818AT	G3MAA14818ATSC	48	18	900	675	10000
G3MAA14824AT	G3MAA14824ATSC	48	24	900	675	10000

NOTES:

- 1.0 MATERIAL
 - 1.1 BASE - ALUMINUM, A356-T6
 - 1.2 END FITTING - ALUMINUM, A356-T6
 - 1.3 ROD - FIBERGLASS
- 2.0 FINISH
 - 2.1 BASE - NONE
 - 2.2 END FITTING - NONE
 - 2.3 ROD - ULTRAVIOLET PROTECTIVE COATING, MUNSEL GRAY (OPTIONAL) - VULCANIZED SILICONE RUBBER, GRAY
- 3.0 DIMENSIONS IN INCHES

This information is confidential and is the property of Maclean Power Systems. It may not be made public or reproduced except that the Customer may make copies for use solely in installation, maintenance, and operation of products supplied by Maclean Power Systems.



MACLEAN POWER SYSTEMS
A Maclean-fogg Company

G3MAA1-"L1L2"-AT SERIES
15° STANDOFF CUT-OUT & ARRESTOR BRACKET

DATE: 4/16/11	SCALE: 1:1	NO.	CEB-3793	R/1	SH. _____
DWNL BY: KK	CD. BY: _____	APR. BY: _____			