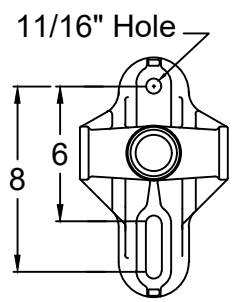
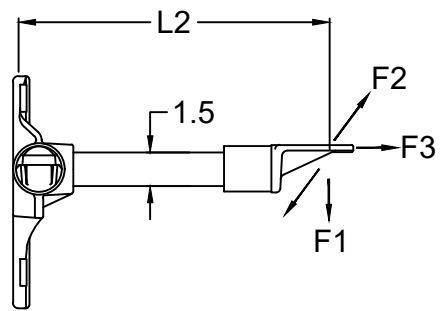
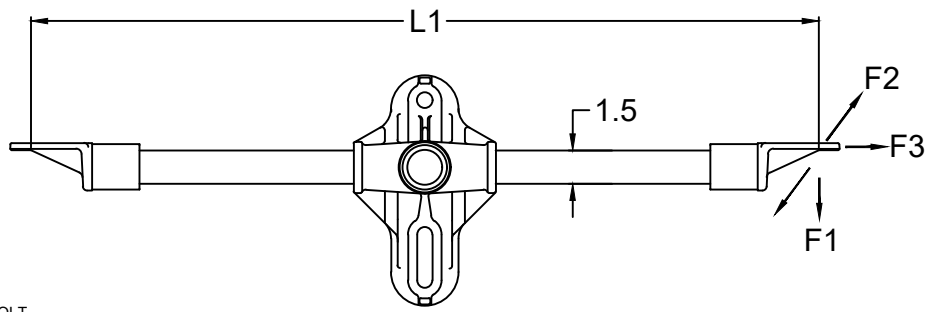
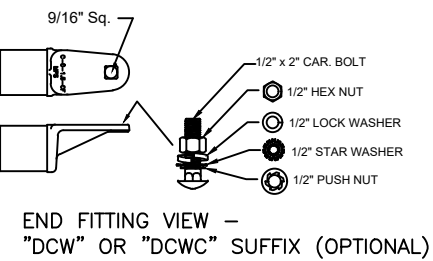
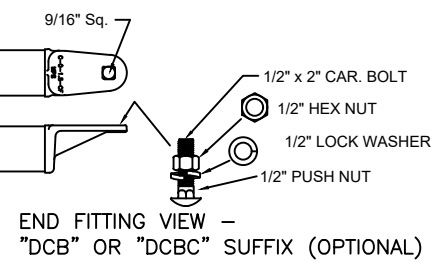
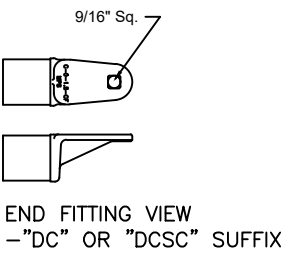


REVISIONS				
NO.	DATE	DESCRIPTION	BY	CHKD
1	05/21/20	UPDATED STAR WASHER VIEW	EDB	MBG



BASE VIEW

CATALOG NUMBER		LENGTHS (IN)		ULTIMATE MECHANICAL STRENGTHS (LBS)		
POLYURETHANE COATED SERIES	SILICONE RUBBER COATED SERIES	L1	L2	F1 VERT.	F2 LONG.	F3 TRANS.
G3MA013613DC	G3MA013613DCSC	36	13	1200	900	10000
G3MA013618DC	G3MA013618DCSC	36	18	1200	900	10000
G3MA014813DC	G3MA014813DCSC	48	13	900	700	10000
G3MA014818DC	G3MA014818DCSC	48	18	900	700	10000
G3MA014824DC	G3MA014824DCSC	48	24	900	700	10000

NOTES:

- 1.0 MATERIAL
 - 1.1 BASE - ALUMINUM, A356-T6
 - 1.2 END FITTING - DUCTILE IRON GRADE 654512
 - 1.3 ROD - FIBERGLASS
- 2.0 FINISH
 - 2.1 BASE - NONE
 - 2.2 END FITTING - HOT DIP GALVANIZED PER ASTM-A-153
 - 2.3 ROD - ULTRAVIOLET PROTECTIVE COATING, MUNSEL GRAY (OPTIONAL) - VULCANIZED SILICONE RUBBER, GRAY
- 3.0 DIMENSIONS IN INCHES

This information is confidential and is the property of Maclean Power Systems. It may not be made public or reproduced except that the Customer may make copies for use solely in installation, maintenance, and operation of products supplied by Maclean Power Systems.



G3MA01-"L1L2"-DC SERIES
TRIPLE PHASE, ZERO DEGREE,
SINGLE POSITION BRACKET

DATE: 4-19-11	SCALE: 1:1	NO. CEB-3794	R / 1	SH. /
DWG. BY: KK	CHKD. BY:	APR. BY:		DF

ENG. REF.