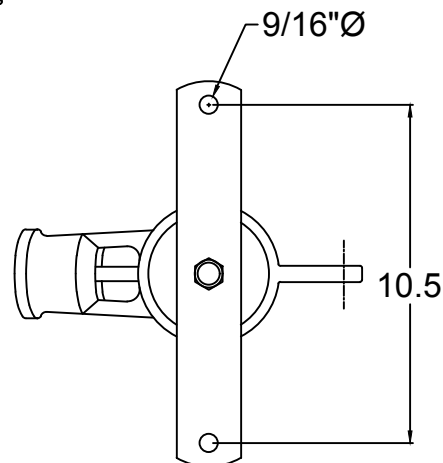
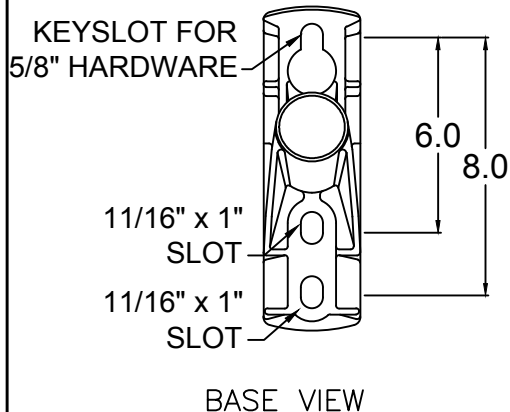
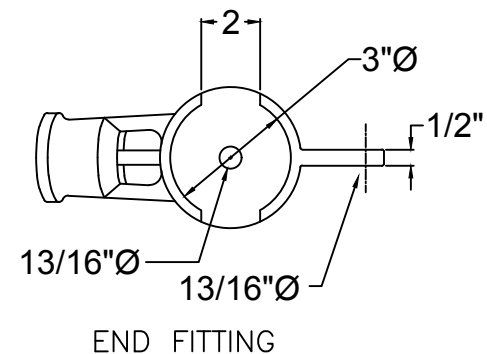
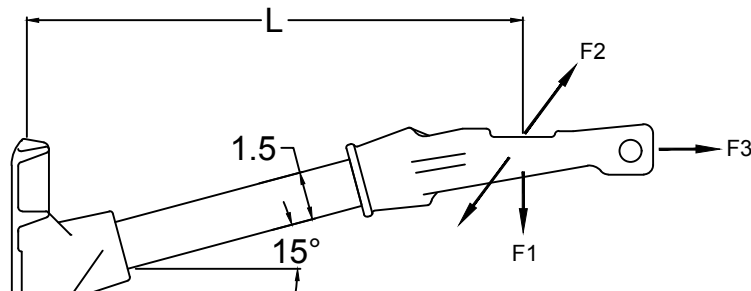


REVISIONS				
NO.	DATE	DESCRIPTION	BY	CHKD



END FITTING W/ OPTIONAL STRAP
-AUS SUFFIX

CATALOG NUMBER		LENGTHS (IN)	ULTIMATE MECHANICAL STRENGTHS (LBS)		
POLYURETHANE COATED SERIES	SILICONE RUBBER COATED SERIES	L	VERTICAL	LONGITUDINAL	TRANSVERSE
G1MAA312AU	G1MAA312AUSC	12	1800	1350	10000
G1MAA318AU	G1MAA318AUSC	18	1200	900	10000
G1MAA324AU	G1MAA324AUSC	24	900	675	10000

CATALOG NUMBER		LENGTHS (IN)	ULTIMATE MECHANICAL STRENGTHS (LBS)		
POLYURETHANE COATED SERIES	SILICONE RUBBER COATED SERIES	L	VERTICAL	LONGITUDINAL	TRANSVERSE
G1MAA312AUS	G1MAA312AUT	12	1800	1350	10000
G1MAA318AUS	G1MAA318AUT	18	1200	900	10000
G1MAA324AUS	G1MAA324AUT	24	900	675	10000

NOTES:

- 1.0 MATERIAL
 - 1.1 BASE - ALUMINUM, A356-T6
 - 1.2 END FITTING - ALUMINUM, A356-T6
 - 1.3 ROD - FIBERGLASS
- 2.0 FINISH
 - 2.1 BASE - NONE
 - 2.2 END FITTING - NONE
 - 2.3 ROD - ULTRAVIOLET PROTECTIVE COATING, MUNSSEL GRAY (OPTIONAL) - VULCANIZED SILICONE RUBBER, GRAY
- 3.0 DIMENSIONS IN INCHES

MACLEAN POWER SYSTEMS
A Maclean-fogg Company

G1MAA3-"L"-AU SERIES

SINGLE PHASE, ANGLED UNIVERSAL BRACKET

NO. CEB-3795

ENG. REF.

This information is confidential and is the property of Maclean Power Systems. It may not be made public or reproduced except that the Customer may make copies for use solely in installation, maintenance, and operation of products supplied by Maclean Power Systems.

DATE: 4-28-11	SCALE: 1:1	NO.	R	SHL
CHK: KK	CDL: BK	APR: BK	0	OF