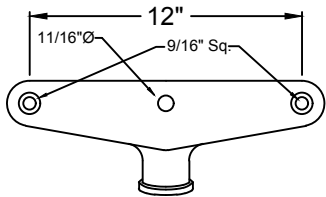
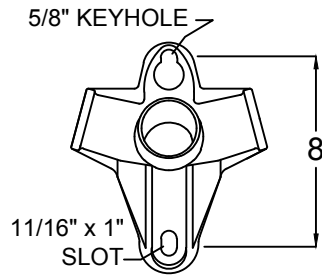


REVISIONS

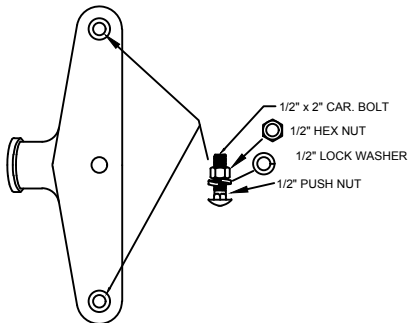
NO.	DATE	DESCRIPTION	BY	CKD
1	10/16/12	Added the 72" span.	LV	KK



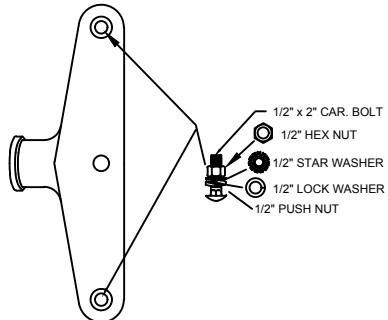
END FITTING VIEW - *PD-228



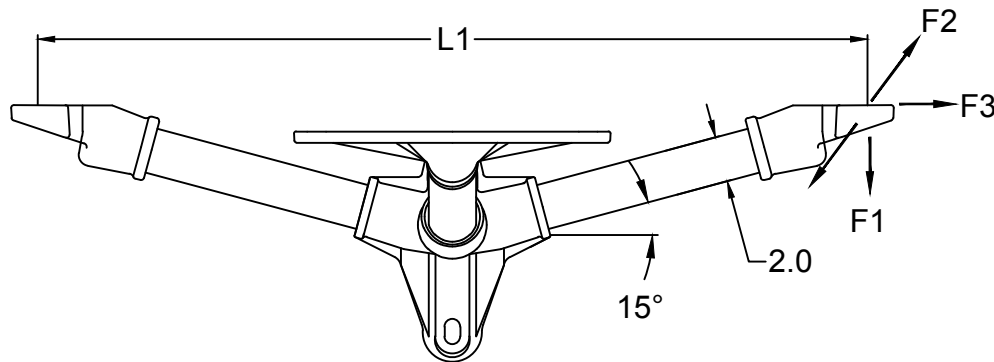
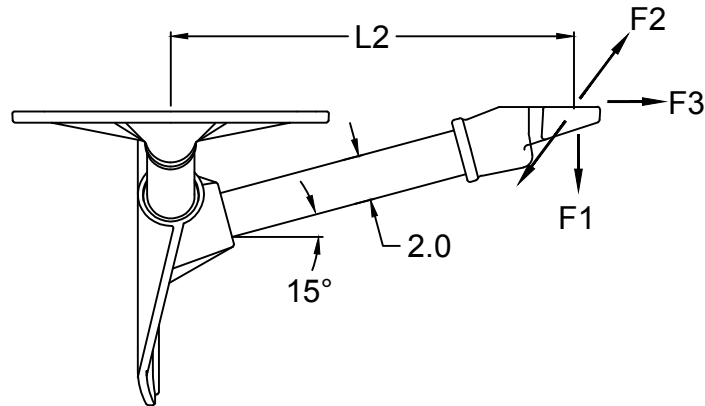
END FITTING VIEW



END FITTING VIEW - "ADB"
- *PD-228-H (OPTIONAL)



END FITTING VIEW - "ADW"
- *PD-228-SW (OPTIONAL)



CATALOG NUMBER		LENGTHS (IN)		ULTIMATE MECHANICAL STRENGTHS (LBS)		
POLYURETHANE COATED SERIES	SILICONE RUBBER COATED SERIES	L1	L2	F1 VERT.	F2 LONG.	F3 TRANS.
G3HAA13613AD	G3HAA13613ADSC	36	13	2250	1500	10000
G3HAA13618AD	G3HAA13618ADSC	36	18	2250	1500	10000
G3HAA14813AD	G3HAA14813ADSC	48	13	1650	1100	10000
G3HAA14818AD	G3HAA14818ADSC	48	18	1650	1100	10000
G3HAA14824AD	G3HAA14824ADSC	48	24	1650	1100	10000
G3HAA16018AD	G3HAA16018ADSC	60	18	1300	875	10000
G3HAA16030AD	G3HAA16030ADSC	60	30	1300	875	10000
G3HAA17213AD	G3HAA17213ADSC	72	13	1000	700	10000

NOTES:

- 1.0 MATERIAL
 - 1.1 BASE - ALUMINUM, A356-T6
 - 1.2 END FITTING - ALUMINUM, A356-T6
 - 1.3 ROD - FIBERGLASS
- 2.0 FINISH
 - 2.1 BASE - NONE
 - 2.2 END FITTING - NONE
 - 2.3 ROD - ULTRAVIOLET PROTECTIVE COATING, MUNSEL GRAY (OPTIONAL) - VULCANIZED SILICONE RUBBER, GRAY
- 3.0 DIMENSIONS IN INCHES

MACLEAN POWER SYSTEMS
A Maclean-fogg Company

G3HAA1-"L1L2"-AD SERIES
15° STANDOFF CUT-OUT & ARRESTOR BRACKET

This information is confidential and is the property of Maclean Power Systems. It may not be made public or reproduced except that the Customer may make copies for use solely in installation, maintenance, and operation of products supplied by Maclean Power Systems.

DATE: 5/3/11	SCALE: 1:1	NO.	CEB-3798	R/1	SH/DF
DRAWN BY: KK	CHKD BY:	APPR BY:			

ENG. REF.