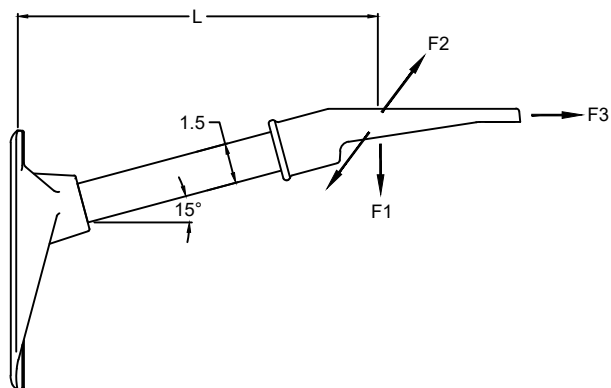
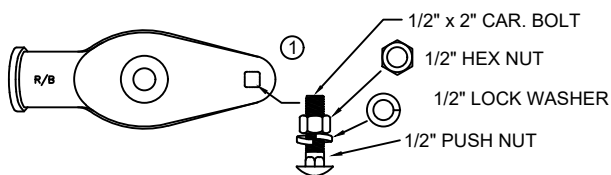


END FITTING VIEW - "AA" OR "AASC"

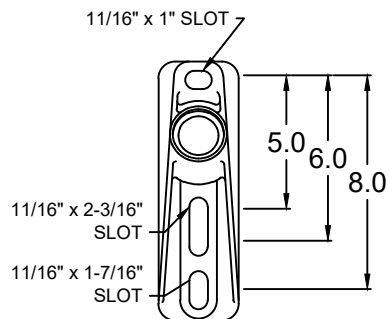


CATALOG NUMBER		LENGTHS (IN)	ULTIMATE MECHANICAL STRENGTHS (LBS)		
POLYURETHANE COATED SERIES	SILICONE RUBBER COATED SERIES	L1	VERTICAL	LONGITUDINAL	TRANSVERSE
G1MDA109AA	G1MDA109AASC	09	2400	1850	10000
G1MDA112AA	G1MDA112AASC	12	1800	1400	10000
G1MDA115AA	G1MDA115AASC	15	1500	1150	10000
G1MDA118AA	G1MDA118AASC	18	1200	900	10000
G1MDA121AA	G1MDA121AASC	21	1025	775	10000
G1MDA124AA	G1MDA124AASC	24	900	700	10000

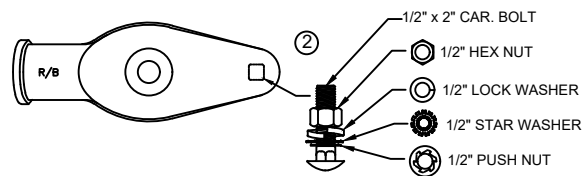
CATALOG NUMBER		LENGTHS (IN)	ULTIMATE MECHANICAL STRENGTHS (LBS)		
POLYURETHANE COATED SERIES	SILICONE RUBBER COATED SERIES	L1	VERTICAL	LONGITUDINAL	TRANSVERSE
G1MDA109AAB	G1MDA109AABC	09	2400	1850	10000
G1MDA112AAB	G1MDA112AABC	12	1800	1400	10000
G1MDA115AAB	G1MDA115AABC	15	1500	1150	10000
G1MDA118AAB	G1MDA118AABC	18	1200	900	10000
G1MDA121AAB	G1MDA121AABC	21	1025	775	10000
G1MDA124AAB	G1MDA124AABC	24	900	700	10000



END FITTING VIEW - "AAB" OR "AABC"



BASE VIEW  
>GPB5568MBC



END FITTING VIEW - "AAW"

NOTES:

- 1.0 MATERIAL
  - 1.1 BASE - DUCTILE IRON GRADE 654512
  - 1.2 END FITTING - ALUMINUM, A356-T6
  - 1.3 ROD - FIBERGLASS
- 2.0 FINISH
  - 2.1 BASE - HOT DIP GALVANIZED PER ASTM-A-153
  - 2.2 END FITTING - NONE
  - 2.3 ROD - ULTRAVIOLET PROTECTIVE VEIL COATING, GRAY (OPTIONAL) - VULCANIZED SILICONE RUBBER, GRAY
- 3.0 DIMENSIONS IN INCHES

REVISIONS

NO.	DATE	DESCRIPTION	BY	CKD
1	8/07/13	REMOVED ROUND HOLES.	LMV	WCL
2	5/21/20	UPDATED STAR WASHER VIEW	EDB	MBG
3	11/16/21	CHANGED PAINT OPTION TO VEIL	BHB	

This information is confidential and is the property of Maclean Power Systems. It may not be made public or reproduced except that the Customer may make copies for use solely in installation, maintenance, and operation of products supplied by Maclean Power Systems.



**MACLEAN POWER SYSTEMS**  
A Maclean-fogg Company

G1MDA1-"L"-AA SERIES  
SINGLE PHASE CUTOFF ARRESTOR BRACKET

DATE: 6-18-12	SCALE: 1:1	NO. CEB-3811	R 3	SH
DRN: MYL	CD: KK	APR: WCL	DF	