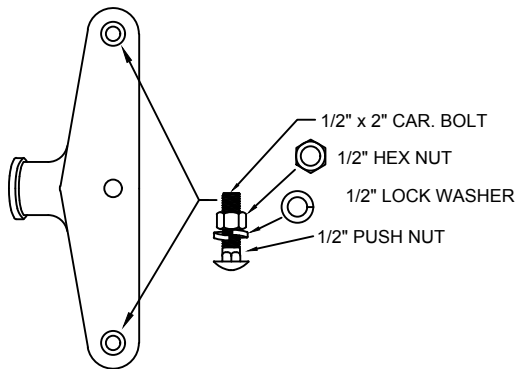
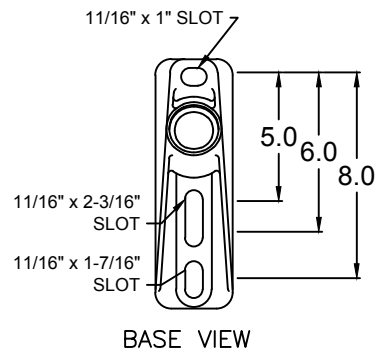


END FITTING VIEW - "AD" OR "ADSC"

CATALOG NUMBER		LENGTHS (IN)	ULTIMATE MECHANICAL STRENGTHS (LBS)		
POLYURETHANE COATED SERIES	SILICONE RUBBER COATED SERIES	L1	VERTICAL F1	LONGITUDINAL F2	TRANSVERSE F3
G1MDA112AD	G1MDA112ADSC	12	1800	1400	10000
G1MDA115AD	G1MDA115ADSC	15	1500	1150	10000
G1MDA118AD	G1MDA118ADSC	18	1200	900	10000
G1MDA121AD	G1MDA121ADSC	21	1050	800	10000
G1MDA124AD	G1MDA124ADSC	24	900	700	10000
G1MDA129AD	G1MDA129ADSC	29	740	575	10000



END FITTING VIEW - "ADB" OR "ADBC"



BASE VIEW

NOTES:

- 1.0 MATERIAL
 - 1.1 BASE - DUCTILE IRON GRADE 654512
 - 1.2 END FITTING - ALUMINUM, A356-T6
 - 1.3 ROD - FIBERGLASS
- 2.0 FINISH
 - 2.1 BASE - HOT DIP GALVANIZED PER ASTM-A-153
 - 2.2 END FITTING - NONE
 - 2.3 ROD - ULTRAVIOLET PROTECTIVE COATING, MUNSSEL GRAY (OPTIONAL) - VULCANIZED SILICONE RUBBER, GRAY
- 3.0 DIMENSIONS IN INCHES

REVISIONS

NO.	DATE	DESCRIPTION	BY
1	3/26/12	ADDED G1MDA112ADSC	KK

MACLEAN POWER SYSTEMS
A Maclean-fogg Company

G1MDA1-"L"-AD SERIES
SINGLE PHASE VERTICAL PIN BRACKET

This information is confidential and is the property of Maclean Power Systems. It may not be made public or reproduced except that the Customer may make copies for use solely in installation, maintenance, and operation of products supplied by Maclean Power Systems.

DATE: 10-18-11 SCALE: 1:1 NO. CEB-3822 R 1 OF 1

ENG. REF.