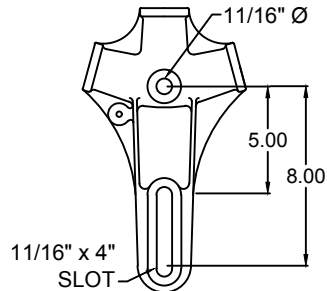


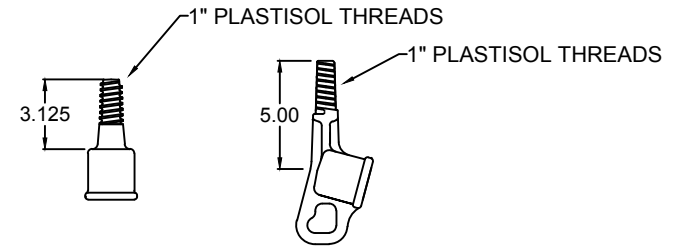
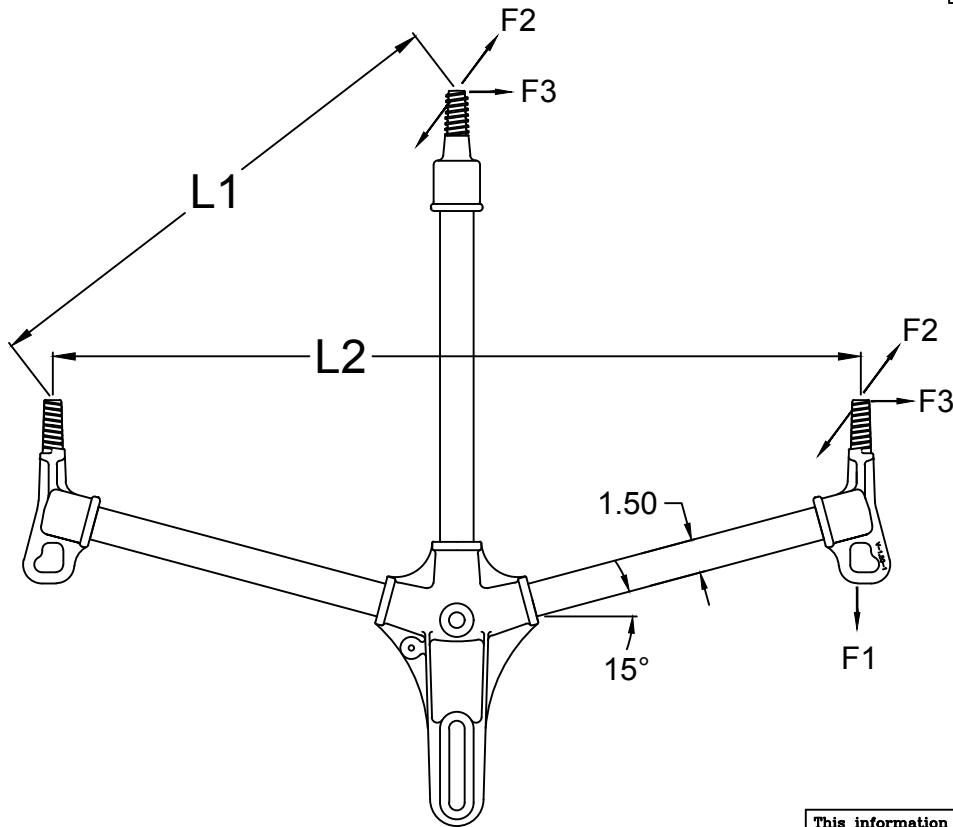
REVISIONS

NO.	DATE	DESCRIPTION	BY	CKD
1	8/05/15	ADDED 4028 SIZE.	WCL	WCL
2	1/26/18	ADDED 46-28 SIZE.	MBG	



BASE VIEW

CATALOG NUMBER		LENGTHS (IN)		ULTIMATE MECHANICAL STRENGTHS (LBS)		
POLYURETHANE COATED SERIES	SILICONE RUBBER COATED SERIES	L1	L2	F1 VERT.	F2 LONG.	F3 TRANS.
G3MDV13024MY1	G3MDV13024MY1SC	30	24	1800	900	2000
G3MDV13030MY1	G3MDV13030MY1SC	30	30	1800	600	2000
G3MDV13624MY1	G3MDV13624MY1SC	36	24	1500	900	2000
G3MDV14028MY1	G3MDV14028MY1SC	40	28	1360	675	2000
G3MDV14228MY1	G3MDV14228MY1SC	42	28	1300	675	2000
G3MDV14628MY1	G3MDV14628MY1SC	46	28	1200	675	2000
G3MDV14828MY1	G3MDV14828MY1SC	48	28	1150	675	2000



END FITTING VIEW

NOTES:

- 1.0 MATERIAL
  - 1.1 BASE - DUCTILE IRON GRADE 654512
  - 1.2 END FITTING - ALUMINUM, A532-T6
  - 1.3 ROD - FIBERGLASS
- 2.0 FINISH
  - 2.1 BASE - HOT DIP GALVANIZED PER ASTM-A-153
  - 2.2 END FITTING - NONE
  - 2.3 ROD - ULTRAVIOLET PROTECTIVE COATING, MUNSEL GRAY (OPTIONAL) - VULCANIZED SILICONE RUBBER, GRAY
- 3.0 DIMENSIONS IN INCHES

**MACLEAN POWER SYSTEMS**  
A Maclean-fogg Company

G3MDV1-"L1L2"-MY1 SERIES  
THREE PHASE, 15° VERTICAL PIN BRACKET

ENG. REF.

This information is confidential and is the property of Maclean Power Systems. It may not be made public or reproduced except that the Customer may make copies for use solely in installation, maintenance, and operation of products supplied by Maclean Power Systems.

DATE: 1/06/12	SCALE: 1:1	NO.:	CEB-3864	R	2	SHL	
CHK: KK	CRD: BK	APP: BK				DF	