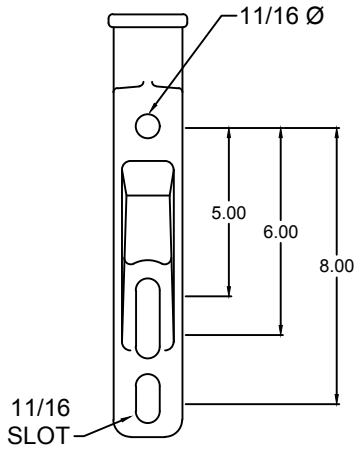
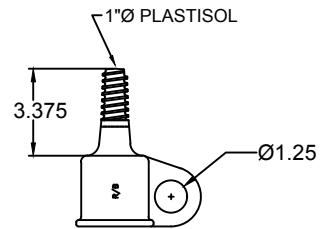


REVISIONS				
NO.	DATE	DESCRIPTION	BY	CKD



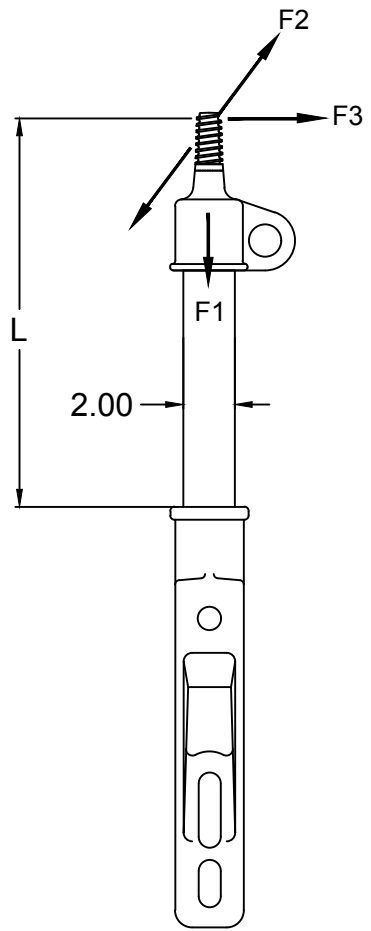
BASE VIEW



END FITTING

NOTES:

- 1.0 MATERIAL
 - 1.1 BASE - DUCTILE IRON 654512
 - 1.2 END FITTING - ALUMINUM A356-T6
 - 1.3 ROD - FIBERGLASS
- 2.0 FINISH
 - 2.1 BASE - HOT DIP GALVANIZED PER ASTM-A-153
 - 2.2 END FITTING - NONE
 - 2.3 ROD - ULTRAVIOLET PROTECTIVE COATING, MUNSEL GRAY (OPTIONAL) - VULCANIZED SILICONE RUBBER, GRAY
- 3.0 DIMENSIONS IN INCHES



CATALOG NUMBER		LENGTHS (IN)	ULTIMATE MECHANICAL STRENGTHS (LBS)		
POLYURETHANE COATED SERIES	SILICONE RUBBER COATED SERIES	L1	VERTICAL	LONGITUDINAL	TRANSVERSE
G1HDR112AM1	G1HDR112AM1SC	12	2500	3000	3000
G1HDR118AM1	G1HDR118AM1SC	18	2500	2150	2150
G1HDR121AM1	G1HDR121AM1SC	21	2500	1900	1900
G1HDR124AM1	G1HDR124AM1SC	24	2500	1750	1750
G1HDR128AM1	G1HDR128AM1SC	28	2500	1400	1400
G1HDR130AM1	G1HDR130AM1SC	30	2500	1300	1300
G1HDR136AM1	G1HDR136AM1SC	36	2500	1100	1100
G1HDR140AM1	G1HDR140AM1SC	40	2500	1000	1000
G1HDR145AM1	G1HDR145AM1SC	45	2500	875	875
G1HDR148AM1	G1HDR148AM1SC	48	2500	825	825

ENG. REF.

This information is confidential and is the property of Maclean Power Systems. It may not be made public or reproduced except that the Customer may make copies for use solely in installation, maintenance, and operation of products supplied by Maclean Power Systems.

MACLEAN POWER SYSTEMS <i>A Maclean-fogg Company</i>	
G1HDR1-"L"-AM1 SERIES SINGLE PHASE HORIZONTAL PIN BRACKET	
DATE: 1-23-12	SCALE: 1:1
NO. CEB-3870	R 0 OF 0