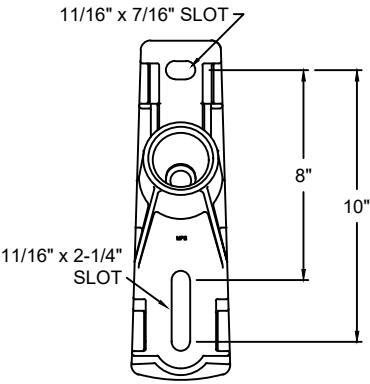
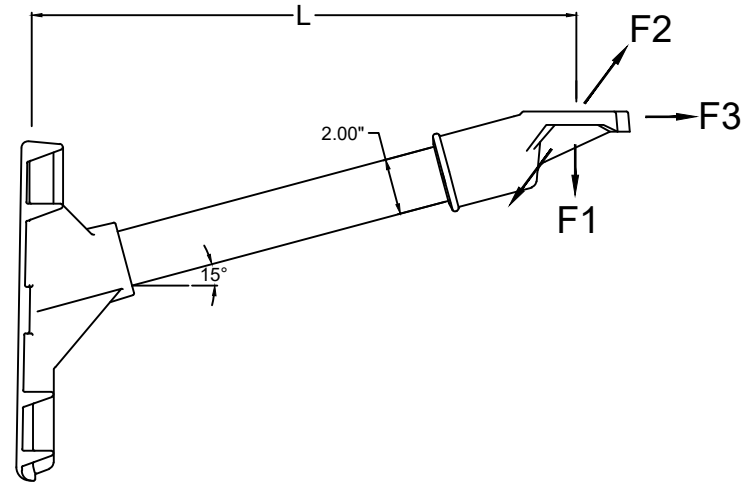


END FITTING VIEW - "AKC1" OR "AKSCC1"



BASE VIEW

CATALOG NUMBER		LENGTHS (IN)	ULTIMATE MECHANICAL STRENGTHS (LBS)		
POLYURETHANE COATED SERIES	SILICONE RUBBER COATED SERIES	L1	VERTICAL F1	LONGITUDINAL F2	TRANSVERSE F3
G1HAA512AKC1	G1HAA512AKSCC1	12	3000	1800	10000
G1HAA516AKC1	G1HAA516AKSCC1	16	2625	1650	10000
G1HAA518AKC1	G1HAA518AKSCC1	18	2250	1500	10000
G1HAA520AKC1	G1HAA520AKSCC1	20	2100	1300	10000
G1HAA526AKC1	G1HAA526AKSCC1	26	1600	1000	10000

NOTES:

- 1.0 MATERIAL
  - 1.1 BASE - ALUMINUM, A356-T6
  - 1.2 END FITTING - ALUMINUM, A356-T6
  - 1.3 ROD - FIBERGLASS
- 2.0 FINISH
  - 2.1 BASE - NONE
  - 2.2 END FITTING - NONE
  - 2.3 ROD - ULTRAVIOLET PROTECTIVE VEIL COATING, GRAY (OPTIONAL) - VULCANIZED SILICONE RUBBER, GRAY
- 3.0 DIMENSIONS IN INCHES

REVISIONS				
NO.	DATE	DESCRIPTION	BY	CHKD
1	11/16/21	CHANGED PAINT OPTION TO VEIL	BHB	



G1HAA5-"L"-AKC1 SERIES  
SINGLE PHASE W/TWO EARS BRACKET

This information is confidential and is the property of Maclean Power Systems. It may not be made public or reproduced except that the Customer may make copies for use solely in installation, maintenance, and operation of products supplied by Maclean Power Systems.

DATE: 2/28/12	SCALE: 1:1	NO. CEB-3881	R 1	SH
DWN: KK	CD: BY: APR. BR:		DF	

ENG. REF.