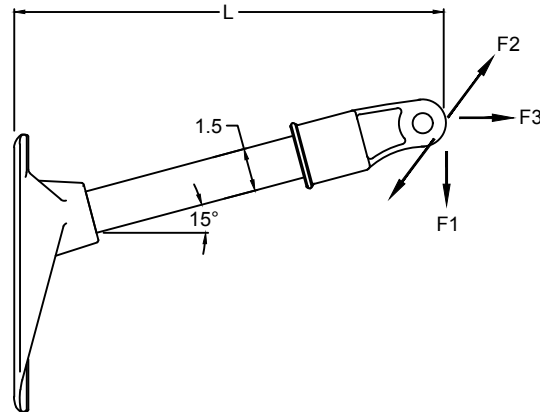
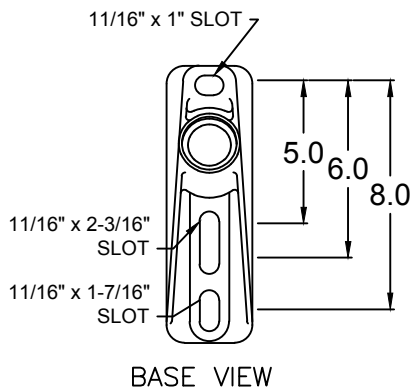


END FITTING VIEW – GPB-M-E-1.5

CATALOG NUMBER		LENGTHS (IN)	ULTIMATE MECHANICAL STRENGTHS (LBS)		
POLYURETHANE COATED SERIES	SILICONE RUBBER COATED SERIES	L1	VERTICAL	LONGITUDINAL	TRANSVERSE
G1MDA109AE	G1MDA109AESC	09	2400	1850	10000
G1MDA112AE	G1MDA112AESC	12	1800	1400	10000
G1MDA115AE	G1MDA115AESC	15	1500	1150	10000
G1MDA118AE	G1MDA118AESC	18	1200	900	10000
G1MDA121AE	G1MDA121AESC	21	1025	775	10000
G1MDA124AE	G1MDA124AESC	24	900	700	10000



NOTES:

- 1.0 MATERIAL
  - 1.1 BASE – DUCTILE IRON GRADE 654512
  - 1.2 END FITTING – ALUMINUM, A356-T6
  - 1.3 ROD – FIBERGLASS
- 2.0 FINISH
  - 2.1 BASE – HOT DIP GALVANIZED PER ASTM-A-153
  - 2.2 END FITTING – NONE
  - 2.3 ROD – ULTRAVIOLET PROTECTIVE COATING, MUNSEL GRAY (OPTIONAL) – VULCANIZED SILICONE RUBBER, GRAY
- 3.0 DIMENSIONS IN INCHES

ENG. REF.

This information is confidential and is the property of Maclean Power Systems. It may not be made public or reproduced except that the Customer may make copies for use solely in installation, maintenance, and operation of products supplied by Maclean Power Systems.

REVISIONS				
NO.	DATE	DESCRIPTION	BY	CHKD

**MACLEAN POWER SYSTEMS**  
A Maclean-fogg Company

**G1MDA1-”L”-AE SERIES**  
SINGLE PHASE W/ EYE

DATE: 6-04-12	SCALE: 1:1	NO.:	CEB-3899	R/0	SPL/DF
CHKD BY: MYL	APPR BY:				