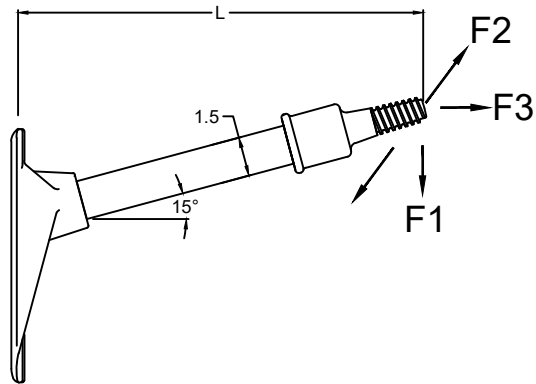
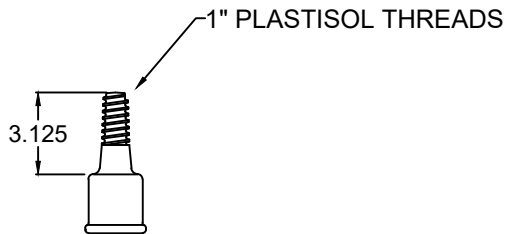


REVISIONS

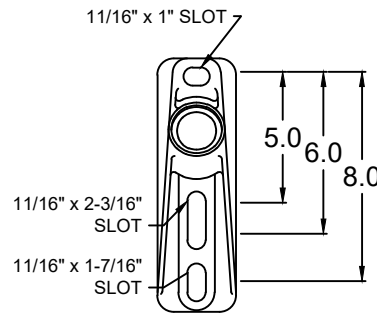
NO.	DATE	DESCRIPTION	BY	CKD



CATALOG NUMBER		LENGTHS (IN)	ULTIMATE MECHANICAL STRENGTHS (LBS)		
POLYURETHANE COATED SERIES	SILICONE RUBBER COATED SERIES	L1	VERTICAL F1	LONGITUDINAL F2	TRANSVERSE F3
G1MDA109AS1	G1MDA109AS1SC	09	2400	1850	2000
G1MDA112AS1	G1MDA112AS1SC	12	1800	1400	2000
G1MDA115AS1	G1MDA115AS1SC	15	1500	1150	2000
G1MDA116AS1	G1MDA116AS1SC	16	1350	1000	2000
G1MDA118AS1	G1MDA118AS1SC	18	1200	900	2000
G1MDA120AS1	G1MDA120AS1SC	20	1100	800	2000
G1MDA121AS1	G1MDA121AS1SC	21	1025	775	2000
G1MDA124AS1	G1MDA124AS1SC	24	900	700	2000



END FITTING VIEW - P6511-01



BASE VIEW

NOTES:

- 1.0 MATERIAL
 - 1.1 BASE - DUCTILE IRON GRADE 654512
 - 1.2 END FITTING - ALUMINUM, A356-T6
 - 1.3 ROD - FIBERGLASS
- 2.0 FINISH
 - 2.1 BASE - NONE
 - 2.2 END FITTING - NONE
 - 2.3 ROD - ULTRAVIOLET PROTECTIVE COATING, MUNSEL GRAY (OPTIONAL) - VULCANIZED SILICONE RUBBER, GRAY
- 3.0 DIMENSIONS IN INCHES



MACLEAN POWER SYSTEMS
A Maclean-fogg Company

G1MDA1-"L"-AS1 SERIES
SINGLE PHASE W/ 1" INSULATOR PIN

This information is confidential and is the property of Maclean Power Systems. It may not be made public or reproduced except that the Customer may make copies for use solely in installation, maintenance, and operation of products supplied by Maclean Power Systems.

DATE: 6-5-12	SCALE: 1:1	NO.	CEB-3901	R/0	SH/DF
DRAWN BY: MYL	CHKD BY:	APR BY:			

ENG. REF.