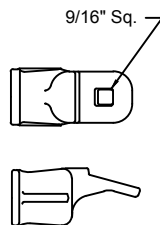
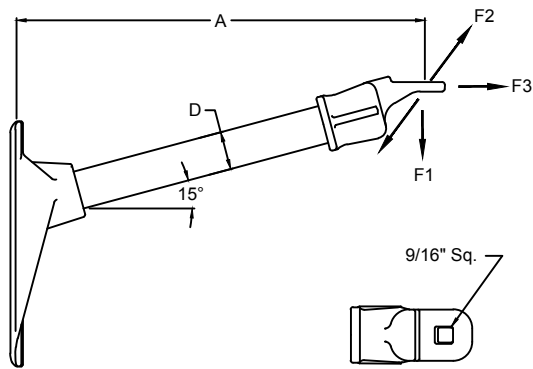
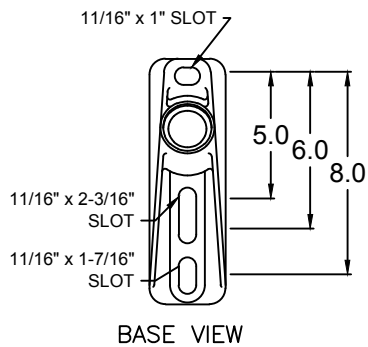
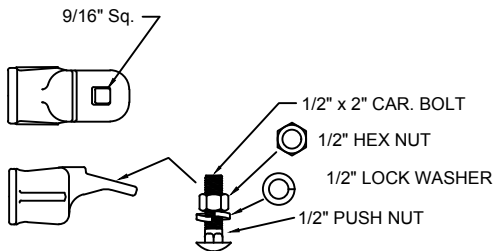


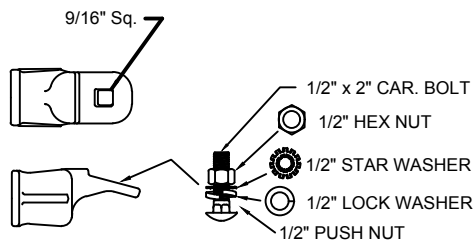
REVISIONS				
NO.	DATE	DESCRIPTION	BY	CHKD



END FITTING VIEW
-DC, DCSC



END FITTING VIEW -DCB, DCBC
(OPTIONAL)



END FITTING VIEW -DCW, DCWC
(OPTIONAL)

NOTES:

1.0 MATERIAL

- 1.1 BASE - DUCTILE IRON GRADE 654512
- 1.2 END FITTING - DUCTILE IRON GRADE 654512
- 1.3 ROD - FIBERGLASS

2.0 FINISH

- 2.1 BASE - HOT DIP GALVANIZED PER ASTM-A-153
- 2.2 END FITTING - HOT DIP GALVANIZED PER ASTM-A-153
- 2.3 ROD - ULTRAVIOLET PROTECTIVE COATING, MUNSSEL GRAY
(OPTIONAL) - VULCANIZED SILICONE RUBBER, GRAY

3.0 DIMENSIONS IN INCHES

CATALOG NUMBER		LENGTHS (IN)	ULTIMATE MECHANICAL STRENGTHS (LBS)		
POLYURETHANE COATED SERIES	SILICONE RUBBER COATED SERIES	L1	VERTICAL	LONGITUDINAL	TRANSVERSE
G1MDA112DC	G1MDA112DCSC	12	1800	1400	10000
G1MDA115DC	G1MDA115DCSC	15	1500	1150	10000
G1MDA118DC	G1MDA118DCSC	18	1200	900	10000
G1MDA121DC	G1MDA121DCSC	21	1025	775	10000
G1MDA124DC	G1MDA124DCSC	24	900	700	10000

CATALOG NUMBER		LENGTHS (IN)	ULTIMATE MECHANICAL STRENGTHS (LBS)		
POLYURETHANE COATED SERIES	SILICONE RUBBER COATED SERIES	L1	VERTICAL	LONGITUDINAL	TRANSVERSE
G1MDA112DCB	G1MDA112DCBC	12	1800	1400	10000
G1MDA115DCB	G1MDA115DCBC	15	1500	1150	10000
G1MDA118DCB	G1MDA118DCBC	18	1200	900	10000
G1MDA121DCB	G1MDA121DCBC	21	1025	775	10000
G1MDA124DCB	G1MDA124DCBC	24	900	700	10000

CATALOG NUMBER		LENGTHS (IN)	ULTIMATE MECHANICAL STRENGTHS (LBS)		
POLYURETHANE COATED SERIES	SILICONE RUBBER COATED SERIES	L1	VERTICAL	LONGITUDINAL	TRANSVERSE
G1MDA112DCW	G1MDA112DCWC	12	1800	1400	10000
G1MDA115DCW	G1MDA115DCWC	15	1500	1150	10000
G1MDA118DCW	G1MDA118DCWC	18	1200	900	10000
G1MDA121DCW	G1MDA121DCWC	21	1025	775	10000
G1MDA124DCW	G1MDA124DCWC	24	900	700	10000



MACLEAN POWER SYSTEMS
A Maclean-fogg Company

G1MDA1-"L"-DC SERIES
SINGLE PHASE CUTOUT ARRESTOR BRACKET

This information is confidential and is the property of Maclean Power Systems. It may not be made public or reproduced except that the Customer may make copies for use solely in installation, maintenance, and operation of products supplied by Maclean Power Systems.

DATE: 6-04-12	SCALE: 1:1	NO.	R	SL
DRN: MYL	CRD:	APP:	CEB-3903	0
BY:	BY:	BY:		DF

ENG. REF.