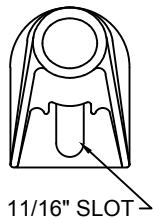
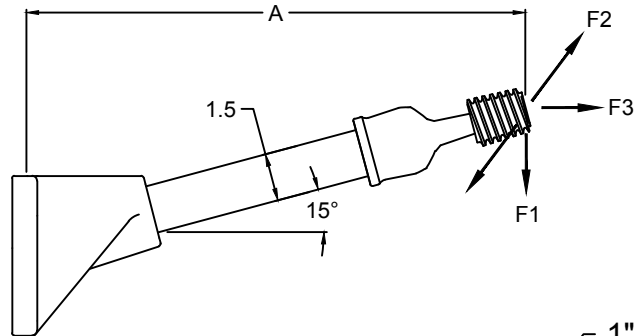
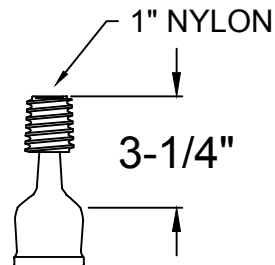


REVISIONS				
NO.	DATE	DESCRIPTION	BY	CKD

CATALOG NUMBER		LENGTHS (IN)	ULTIMATE MECHANICAL STRENGTHS (LBS)		
POLYURETHANE COATED SERIES	SILICONE RUBBER COATED SERIES	L1	VERTICAL	LONGITUDINAL	TRANSVERSE
G1MAJ112DS5	G1MAJ112DS5SC	12	975	725	2500
G1MAJ113DS5	G1MAJ113DS5SC	13	900	675	2500
G1MAJ115DS5	G1MAJ115DS5SC	15	775	575	2500
G1MAJ118DS5	G1MAJ118DS5SC	18	650	475	2500
G1MAJ124DS5	G1MAJ124DS5SC	24	500	350	2500



11/16" SLOT
BASE VIEW




END FITTING VIEW - 1659-146

NOTES:

- 1.0 MATERIAL
 - 1.1 BASE - ALUMINUM, A356-T6
 - 1.2 END FITTING - DUCTILE IRON GRADE 654512
 - 1.3 ROD - FIBERGLASS
- 2.0 FINISH
 - 2.1 BASE - NONE
 - 2.2 END FITTING - HOT DIP GALVANIZED PER ASTM-A-153
 - 2.3 ROD - ULTRAVIOLET PROTECTIVE COATING, MUNSSEL GRAY (OPTIONAL) - VULCANIZED SILICONE RUBBER, GRAY
- 3.0 DIMENSIONS IN INCHES

This information is confidential and is the property of Maclean Power Systems. It may not be made public or reproduced except that the Customer may make copies for use solely in installation, maintenance, and operation of products supplied by Maclean Power Systems.

 MACLEAN POWER SYSTEMS A Maclean-fogg Company	
G1MAJ1-"L"-DS5 SERIES SINGLE PHASE JUMPER BRACKET	
DATE: 6-6-12	SCALE: 1:1
NO.: CEB-3925	R: 0
DRN: MYL	CHK: []
BY: []	APP: []

ENG. REF.