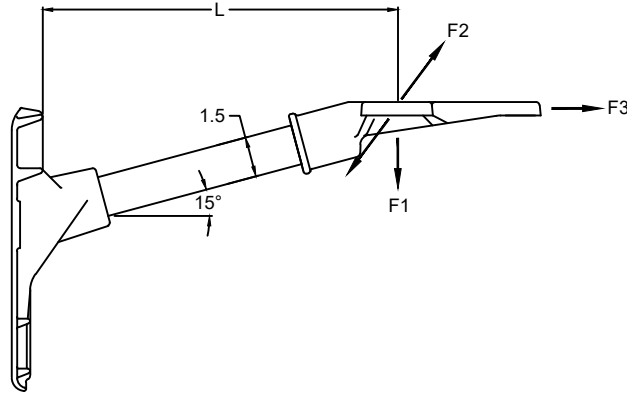
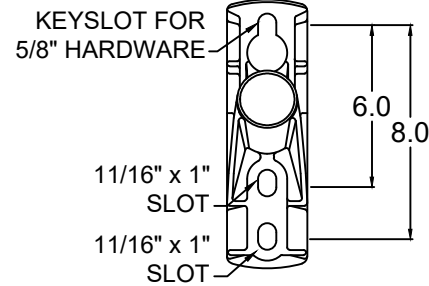
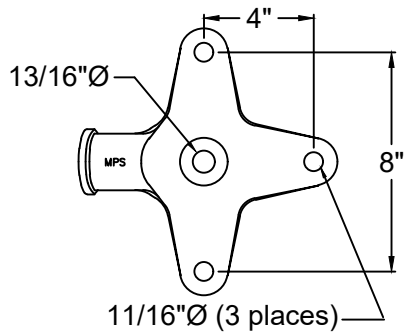


REVISIONS

NO.	DATE	DESCRIPTION	BY	CKD
1	11/17/21	CHANGED PAINT OPTION TO VEIL	BHB	



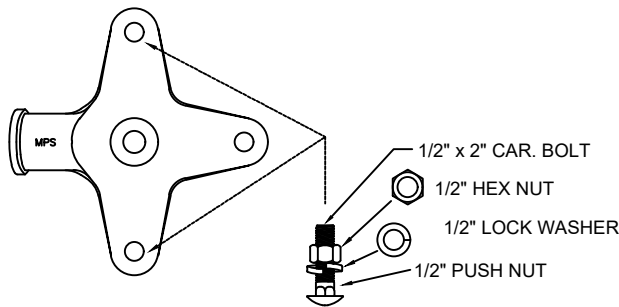
CATALOG NUMBER		LENGTHS (IN)	ULTIMATE MECHANICAL STRENGTHS (LBS)		
POLYURETHANE COATED SERIES	SILICONE RUBBER COATED SERIES	L1	VERTICAL F1	LONGITUDINAL F2	TRANSVERSE F3
G1MAA312AG	G1MAA312AGSC	12	1800	1400	10000
G1MAA316AG	G1MAA316AGSC	16	1400	1075	10000
G1MAA318AG	G1MAA318AGSC	18	1200	900	10000
G1MAA321AG	G1MAA321AGSC	21	1050	800	10000
G1MAA324AG	G1MAA324AGSC	24	900	700	10000



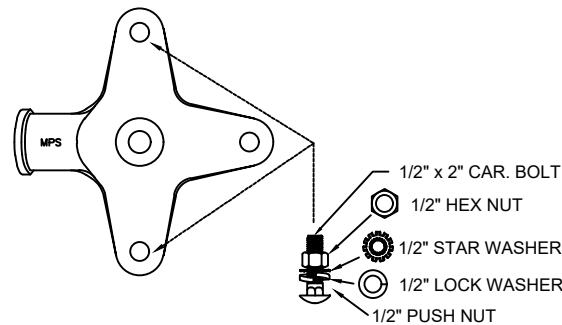
CATALOG NUMBER		LENGTHS (IN)	ULTIMATE MECHANICAL STRENGTHS (LBS)		
POLYURETHANE COATED SERIES	SILICONE RUBBER COATED SERIES	L1	VERTICAL F1	LONGITUDINAL F2	TRANSVERSE F3
G1MAA312AGB	G1MAA312AGBC	12	1800	1400	10000
G1MAA316AGB	G1MAA316AGBC	16	1400	1075	10000
G1MAA318AGB	G1MAA318AGBC	18	1200	900	10000
G1MAA321AGB	G1MAA321AGBC	21	1050	800	10000
G1MAA324AGB	G1MAA324AGBC	24	900	700	10000

END FITTING: "AG" AND "AGSC"

BASE VIEW



END FITTING (OPTIONAL): "AGB" AND "AGBC"



END FITTING (OPTIONAL): "AGW"

NOTES:

- 1.0 MATERIAL
 - 1.1 BASE - ALUMINUM, A356-T6
 - 1.2 END FITTING - ALUMINUM, A356-T6
 - 1.3 ROD - FIBERGLASS
- 2.0 FINISH
 - 2.1 BASE - NONE
 - 2.2 END FITTING - NONE
 - 2.3 ROD - ULTRAVIOLET PROTECTIVE VEIL COATING, GRAY (OPTIONAL) - VULCANIZED SILICONE RUBBER, GRAY
- 3.0 DIMENSIONS IN INCHES



MACLEAN POWER SYSTEMS
A Maclean-fogg Company

G1MAA3-"L"-AG SERIES
SINGLE PHASE TRIPLE PHASE BRACKET

This information is confidential and is the property of Maclean Power Systems. It may not be made public or reproduced except that the Customer may make copies for use solely in installation, maintenance, and operation of products supplied by Maclean Power Systems.

DATE: 6-5-12	SCALE: 1:1	NO. CEB-3927	R/1	SH/
DRN: MYL	CD: /	APR: /	DF	