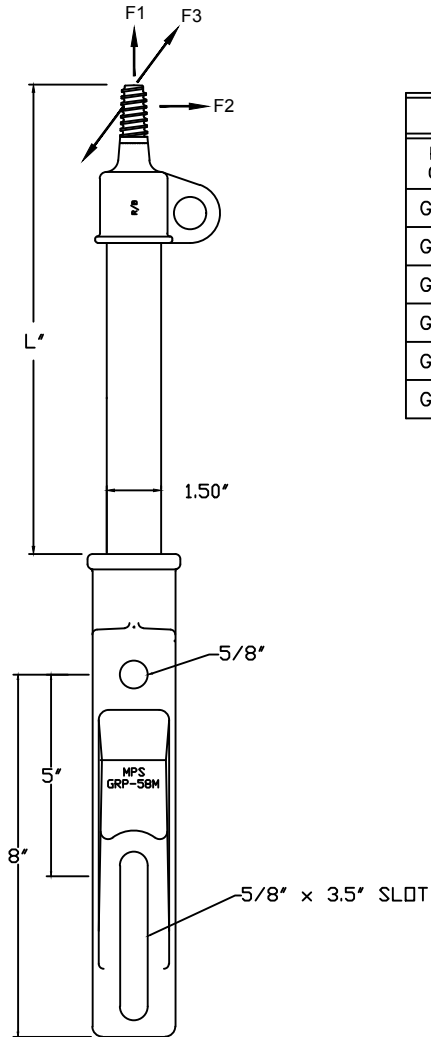


END FITTING VIEW - P-6511-01E



CATALOG NUMBER		LENGTHS (IN)	ULTIMATE MECHANICAL STRENGTHS (LBS)		
POLYURETHANE COATED SERIES	SILICONE RUBBER COATED SERIES	L1	VERTICAL F1	LONGITUDINAL F2	TRANSVERSE F3
G1MDR112AM1	G1MDR112AM1SC	12	2000	1400	1400
G1MDR116AM1	G1MDR116AM1SC	16	2000	1075	1075
G1MDR118AM1	G1MDR118AM1SC	18	2000	900	900
G1MDR121AM1	G1MDR121AM1SC	21	2000	800	800
G1MDR123AM1	G1MDR123AM1SC	23	2000	725	725
G1MDR124AM1	G1MDR124AM1SC	24	2000	700	700

NOTES:

- 1.0 MATERIAL
 - 1.1 BASE - DUCTILE IRON GRADE 654512
 - 1.2 END FITTING - ALUMINUM, A356-T6
 - 1.3 ROD - FIBERGLASS
- 2.0 FINISH
 - 2.1 BASE - HOT DIP GALVANIZED PER ASTM-A-153
 - 2.2 END FITTING - NONE
 - 2.3 ROD - ULTRAVIOLET PROTECTIVE COATING, MUNSSEL GRAY (OPTIONAL) - VULCANIZED SILICONE RUBBER, GRAY
- 3.0 DIMENSIONS IN INCHES

REVISIONS

NO.	DATE	DESCRIPTION	BY	CHKD



MACLEAN POWER SYSTEMS
A Maclean-fogg Company

G1MDR1-"L"-AM1 SERIES
POLE TOP BRACKET W/ SIDE EYE

ENG. REF.

This information is confidential and is the property of Maclean Power Systems. It may not be made public or reproduced except that the Customer may make copies for use solely in installation, maintenance, and operation of products supplied by Maclean Power Systems.

DATE: 6-6-12	SCALE: 1:1	NO.:	R	DFL
DRN: MYL	CHKD: BY:	APPR: BY:	CEB-3935	0