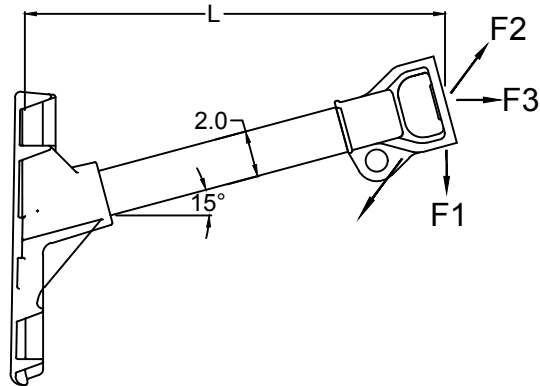
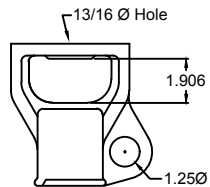


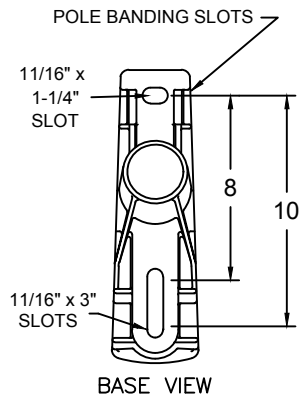
REVISIONS				
NO.	DATE	DESCRIPTION	BY	CKD



CATALOG NUMBER		LENGTHS (IN)	ULTIMATE MECHANICAL STRENGTHS (LBS)		
POLYURETHANE COATED SERIES	SILICONE RUBBER COATED SERIES	L1	VERTICAL F1	LONGITUDINAL F2	TRANSVERSE F3
G1HAA512AH	G1HAA512AHSC	12	3000	1800	10000
G1HAA514AH	G1HAA514AHSC	14	2900	1900	10000
G1HAA518AH	G1HAA518AHSC	18	2250	1500	10000
G1HAA521AH	G1HAA521AHSC	21	1950	1300	10000
G1HAA524AH	G1HAA524AHSC	24	1750	1100	10000



END FITTING - P-6391-01E



BASE VIEW

NOTES:

- 1.0 MATERIAL
 - 1.1 BASE - ALUMINUM, A356-T6
 - 1.2 END FITTING - ALUMINUM, A356-T6
 - 1.3 ROD - FIBERGLASS
- 2.0 FINISH
 - 2.1 BASE - NONE
 - 2.2 END FITTING - NONE
 - 2.3 ROD - ULTRAVIOLET PROTECTIVE COATING, MUNSSEL GRAY (OPTIONAL) - VULCANIZED SILICONE RUBBER, GRAY
- 3.0 DIMENSIONS IN INCHES

MACLEAN POWER SYSTEMS
A Maclean-fogg Company

G1HAA5-"L"-AH SERIES
SINGLE PHASE, ANGLED DOUBLE POSITION

DATE: 6-06-12	SCALE: 1:1	NO.:	R / 0
DRN: MYL	CRG:	APR:	BY:
CEB-3956			

This information is confidential and is the property of Maclean Power Systems. It may not be made public or reproduced except that the Customer may make copies for use solely in installation, maintenance, and operation of products supplied by Maclean Power Systems.

ENG. REF.