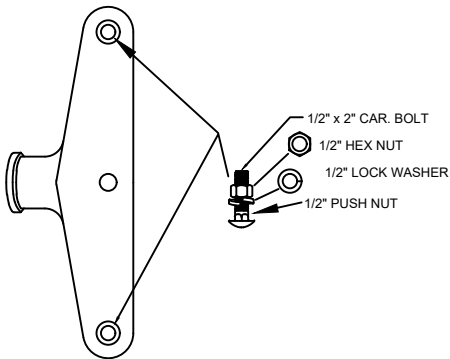
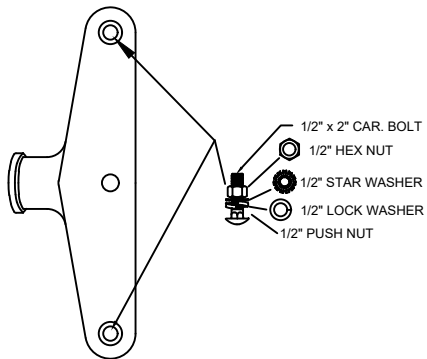


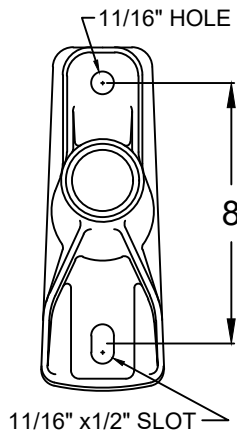
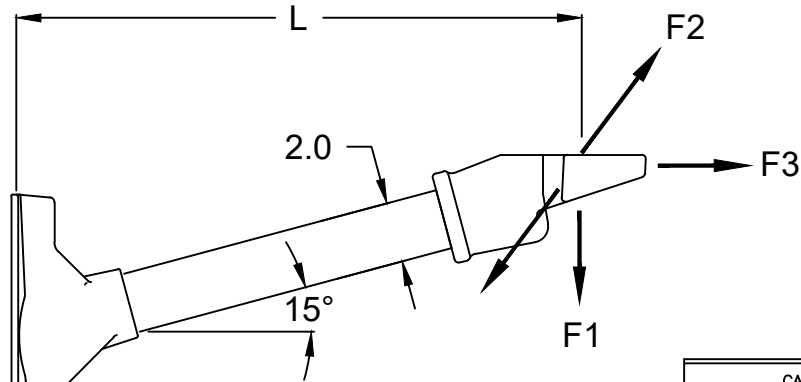
END FITTING VIEW -*PD-228



END FITTING VIEW ADB OR AD BC
-*PD-228-H (OPTIONAL)



END FITTING VIEW ADW OR ADWC
-*PD-228-SW (OPTIONAL)



BASE VIEW

CATALOG NUMBER		LENGTHS (IN)		ULTIMATE MECHANICAL STRENGTHS (LBS)	
POLYURETHANE COATED SERIES	SILICONE RUBBER COATED SERIES	L1	VERTICAL	LONGITUDINAL	TRANSVERSE
G1HDA112AD	G1HDA112ADSC	12	3000	2400	10000
G1HDA118AD	G1HDA118ADSC	18	2200	1600	10000
G1HDA124AD	G1HDA124ADSC	24	1750	1200	10000
G1HDA130AD	G1HDA130ADSC	30	1400	950	10000
G1HDA136AD	G1HDA136ADSC	36	1100	800	10000

NOTES:

- 1.0 MATERIAL
 - 1.1 BASE - DUCTILE IRON 654512
 - 1.2 END FITTING - ALUMINUM, A356-T6
 - 1.3 ROD - FIBERGLASS
- 2.0 FINISH
 - 2.1 BASE - HOT DIP GALVANIZED PER ASTM-A-153
 - 2.2 END FITTING - NONE
 - 2.3 ROD - ULTRAVIOLET PROTECTIVE COATING, MUNSEL GRAY (OPTIONAL) - VULCANIZED SILICONE RUBBER, GRAY
- 3.0 DIMENSIONS IN INCHES

REVISIONS				
NO.	DATE	DESCRIPTION	BY	CKD

MACLEAN POWER SYSTEMS
A Maclean-fogg Company

G1HDA1-"L"-AD SERIES
SINGLE PHASE, ANGLED DOUBLE POSITION

This information is confidential and is the property of Maclean Power Systems. It may not be made public or reproduced except that the Customer may make copies for use solely in installation, maintenance, and operation of products supplied by Maclean Power Systems.

DATE: 6-07-12 SCALE: 1:1 NO. CEB-3964
 DWG. BY: NYL CKD. BY: APR. BY: R/0 SH. OF