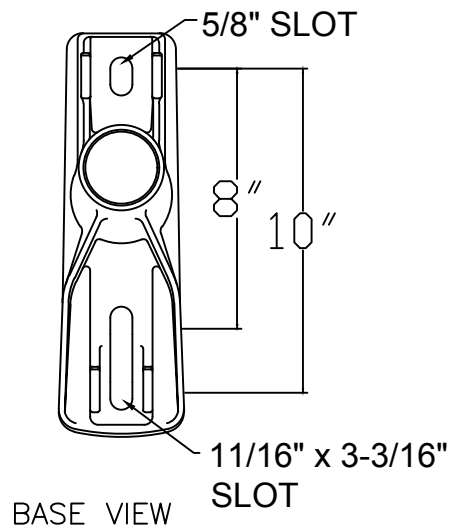
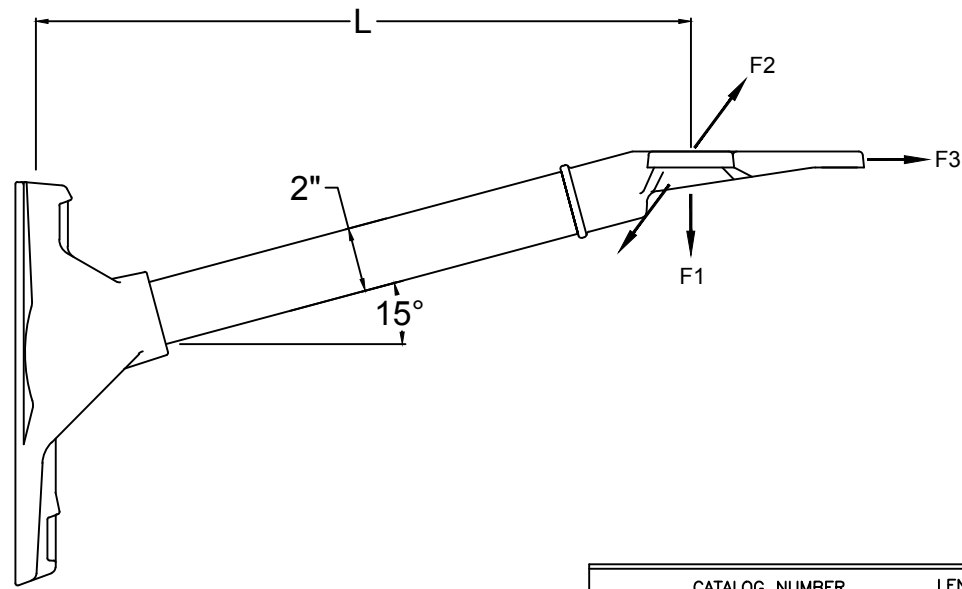
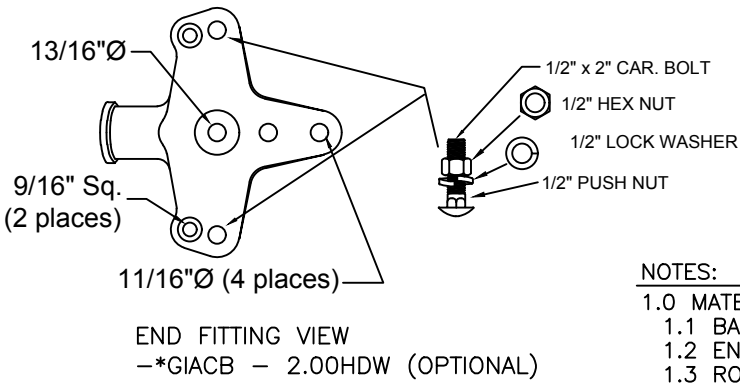
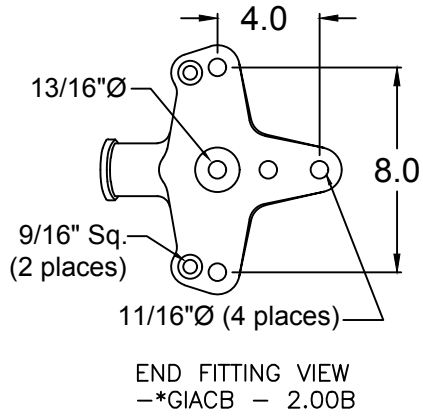


REVISIONS				
NO.	DATE	DESCRIPTION	BY	CHKD
1	10/30/12	ADDED G1HDA512AT	LMV	KK
2	5/08/17	BASE UPDATED: USED TO HAVE 2 SLOTS	MBG	



CATALOG NUMBER		LENGTHS (IN)	ULTIMATE MECHANICAL STRENGTHS (LBS)		
POLYURETHANE COATED SERIES	SILICONE RUBBER COATED SERIES	L	VERTICAL	LONGITUDINAL	TRANSVERSE
G1HDA512AT	G1HDA512ATSC	12	3375	2250	10000
G1HDA518AT	G1HDA518ATSC	18	2250	1500	10000
G1HDA521AT	G1HDA521ATSC	21	1900	1300	10000
G1HDA524AT	G1HDA524ATSC	24	1700	1125	10000
G1HDA530AT	G1HDA530ATSC	30	1150	1000	10000
G1HDA536AT	G1HDA536ATSC	36	1000	850	10000
G1HDA548AT	G1HDA548ATSC	48	775	675	10000

NOTE: "C5" SUFFIX INDICATES DATE STAMP AND PACKED IN SHIPPING CRATE. EX. G1HDA518ATC5.

- NOTES:
- 1.0 MATERIAL
 - 1.1 BASE - DUCTILE IRON 654512
 - 1.2 END FITTING - ALUMINUM, A356-T6
 - 1.3 ROD - FIBERGLASS
 - 2.0 FINISH
 - 2.1 BASE - HOT DIP GALVANIZED PER ASTM-A-153
 - 2.2 END FITTING - NONE
 - 2.3 ROD - ULTRAVIOLET PROTECTIVE COATING, MUNSSEL GRAY (OPTIONAL) - VULCANIZED SILICONE RUBBER, GRAY
 - 3.0 DIMENSIONS IN INCHES

MACLEAN POWER SYSTEMS
A Maclean-fogg Company

G1HDA5-"L"-AT SERIES

SINGLE PHASE, ANGLED TRIPLE POSITION BRACKET

DATE: 6-07-12 | SCALE: 1:1 | NO.: CEB-3979

CHKD: MYL | CVD: KK | APR: WCL

R 2 OF

This information is confidential and is the property of Maclean Power Systems. It may not be made public or reproduced except that the Customer may make copies for use solely in installation, maintenance, and operation of products supplied by Maclean Power Systems.

ENG. REF.