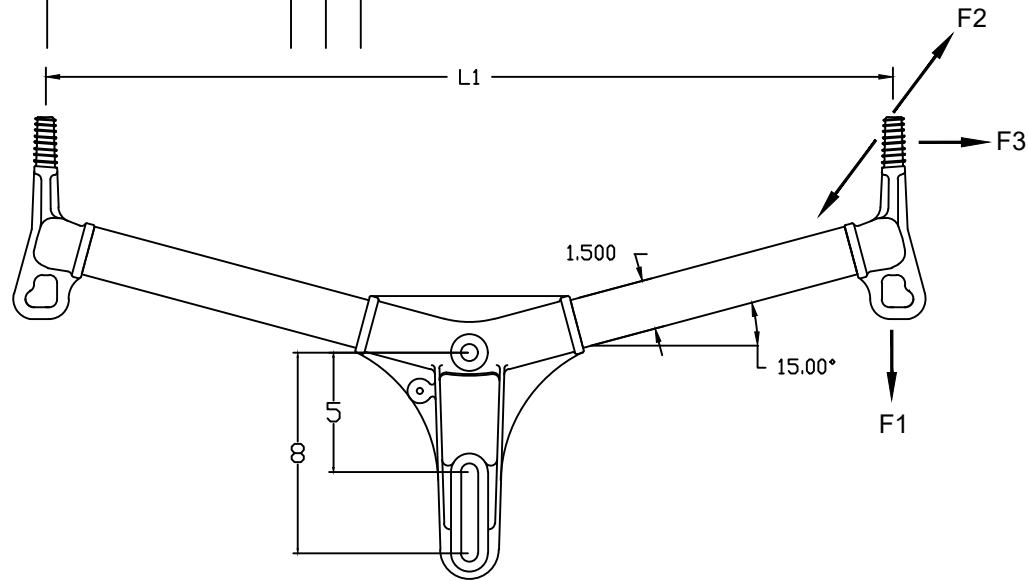
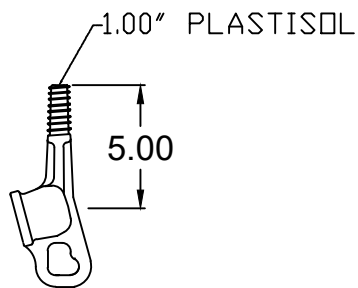


REVISIONS				
NO.	DATE	DESCRIPTION	BY	CKD



CATALOG NUMBER		LENGTHS (IN)		ULTIMATE MECHANICAL STRENGTHS (LBS)		
POLYURETHANE COATED SERIES	SILICONE RUBBER COATED SERIES	L1	VERTICAL	LONGITUDINAL	TRANSVERSE	
G2MDA136DV1	G2MDA136DV1SC	36	2550	2000	2500	
G2MDA140DV1	G2MDA140DV1SC	40	2450	1975	2500	
G2MDA142DV1	G2MDA142DV1SC	42	2400	1950	2500	
G2MDA148DV1	G2MDA148DV1SC	48	2250	1900	2500	
G2MDA154DV1	G2MDA154DV1SC	54	2100	1850	2500	
G2MDA160DV1	G2MDA160DV1SC	60	1950	1800	2500	
G2MDA172DV1	G2MDA172DV1SC	72	1800	1750	2500	



END FITTING VIEW - >V-1.50-1C

NOTES:

- 1.0 MATERIAL
 - 1.1 BASE - DUCTILE IRON GRADE 654512
 - 1.2 END FITTING - DUCTILE IRON GRADE 654512
 - 1.3 ROD - FIBERGLASS
- 2.0 FINISH
 - 2.1 BASE - HOT DIP GALVANIZED PER ASTM-A-153
 - 2.2 END FITTING - HOT DIP GALVANIZED PER ASTM-A-153
 - 2.3 ROD - ULTRAVIOLET PROTECTIVE COATING, MUNSEL GRAY (OPTIONAL) - VULCANIZED SILICONE RUBBER, GRAY
- 3.0 DIMENSIONS IN INCHES



MACLEAN POWER SYSTEMS
A Maclean-togg Company

G2MDA1-"L"-DV1 SERIES
DOUBLE PHASE VERTICAL PIN BRACKET

ENG. REF.

This information is confidential and is the property of Maclean Power Systems. It may not be made public or reproduced except that the Customer may make copies for use solely in installation, maintenance, and operation of products supplied by Maclean Power Systems.

DATE: 6-08-12	SCALE: 1:1	NO.	CEB-3989	R/0	SHT. OF
DRAWN BY: MYL	CHKD BY: LV	APPR BY:			