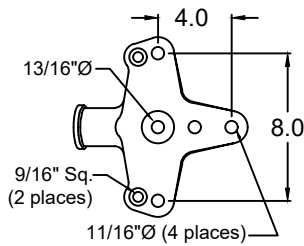
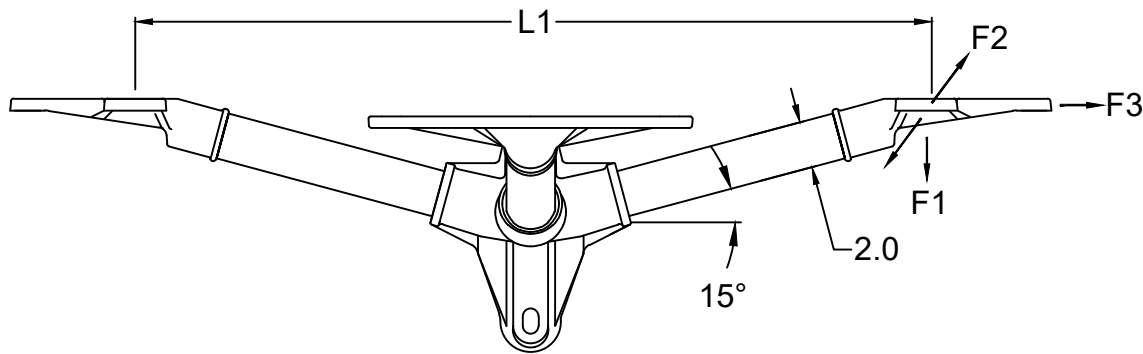
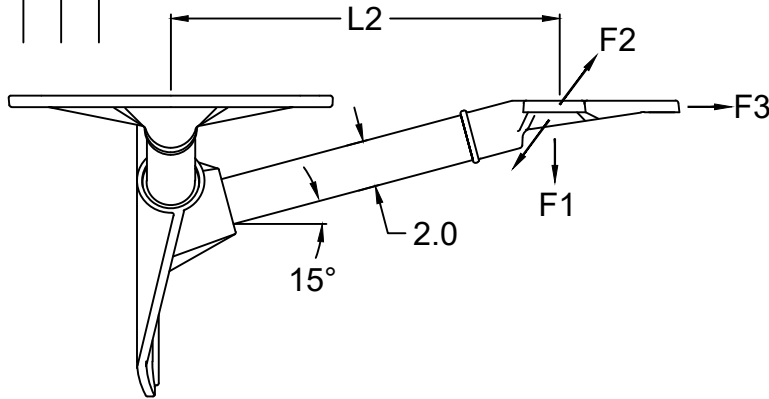
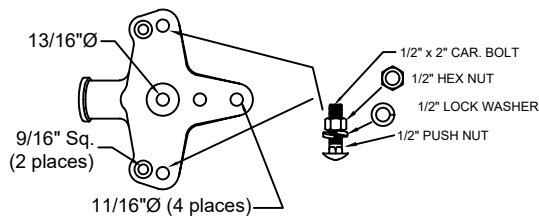


REVISIONS

NO.	DATE	DESCRIPTION	BY	CKD
1	11/18/21	CHANGED PAINT OPTION TO VEIL	EDB	



END FITTING VIEW
-*GIACB - 2.00B



END FITTING VIEW
-*GIACB - 2.00HDW (OPTIONAL)

CATALOG NUMBER		LENGTHS (IN)		ULTIMATE MECHANICAL STRENGTHS (LBS)		
POLYURETHANE COATED SERIES	SILICONE RUBBER COATED SERIES	L1	L2	F1 VERT.	F2 LONG.	F3 TRANS.
G3HAA13613AT	G3HAA13613ATSC	36	13	2250	1500	10000
G3HAA13618AT	G3HAA13618ATSC	36	18	2250	1500	10000
G3HAA14813AT	G3HAA14813ATSC	48	13	1650	1100	10000
G3HAA14818AT	G3HAA14818ATSC	48	18	1650	1100	10000
G3HAA14824AT	G3HAA14824ATSC	48	24	1650	1100	10000
G3HAA16018AT	G3HAA16018ATSC	60	18	1300	875	10000
G3HAA16030AT	G3HAA16030ATSC	60	30	1300	875	10000

NOTES:

- 1.0 MATERIAL
 - 1.1 BASE - ALUMINUM, A356-T6
 - 1.2 END FITTING - ALUMINUM, A356-T6
 - 1.3 ROD - FIBERGLASS
- 2.0 FINISH
 - 2.1 BASE - NONE
 - 2.2 END FITTING - NONE
 - 2.3 ROD - ULTRAVIOLET PROTECTIVE VEIL COATING, GRAY (OPTIONAL) - VULCANIZED SILICONE RUBBER, GRAY
- 3.0 DIMENSIONS IN INCHES



MACLEAN POWER SYSTEMS
A Maclean-fogg Company

G3HAA1-"L1L2"-AT SERIES
15° STANDOFF CUT-OUT & ARRESTOR BRACKET

This information is confidential and is the property of Maclean Power Systems. It may not be made public or reproduced except that the Customer may make copies for use solely in installation, maintenance, and operation of products supplied by Maclean Power Systems.

DATE: 6-08-12	SCALE: 1:1	NO. CEB-3991	R / 1	SH. DF.
DWN. BY: MYL	CD. BY:	APR. BY:		

ENG. REF.