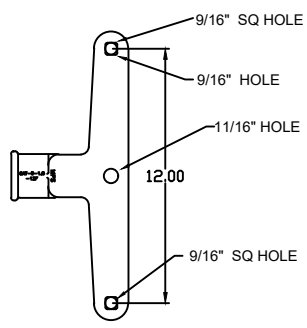
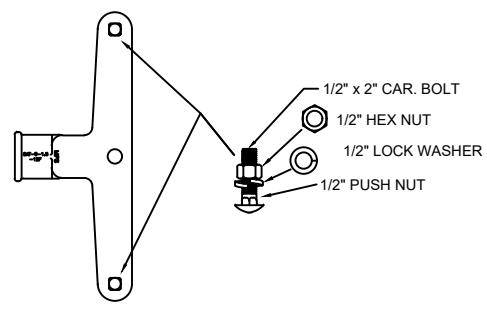


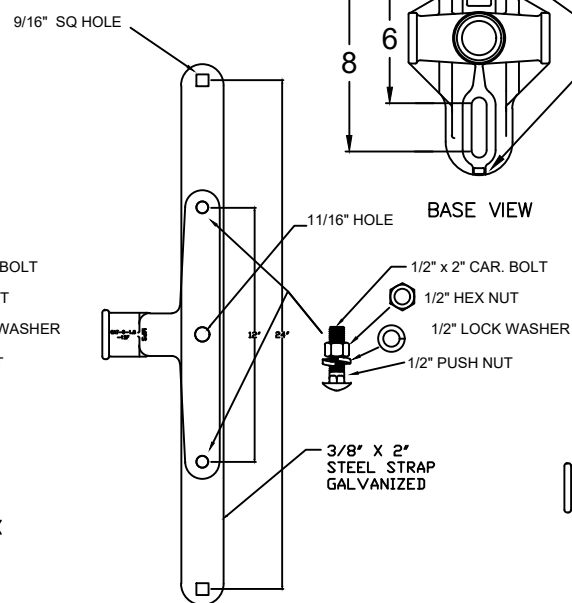
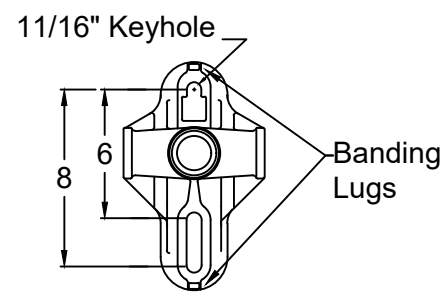
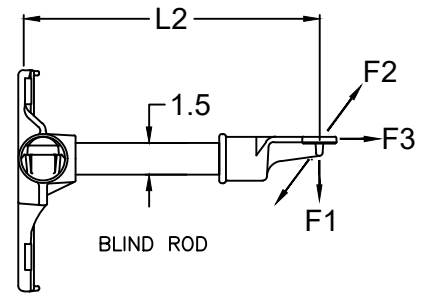
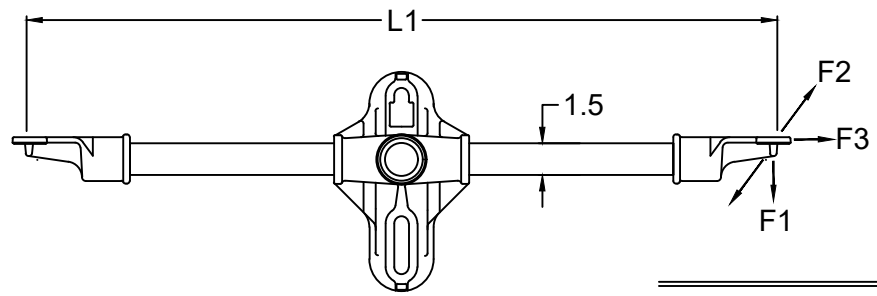
| REVISIONS | | | | | |
|-----------|----------|-------------------------------|-----|------|--|
| NO. | DATE | DESCRIPTION | BY | CHKD | |
| 1 | 05/15/14 | ADDED G3MA026030DD SIZE. | WCL | WCL | |
| 2 | 09/16/15 | ADDED G3MA024816DD SIZE. | WCL | WCL | |
| 3 | 12/08/15 | ADDED "DTB" & "DTBC" OPTIONS. | WCL | WCL | |
| 4 | 04/25/16 | DDBS & DDSC WERE DTB & DTBC. | WCL | WCL | |
| 5 | 05/21/20 | UPDATED STAR WASHER VIEW | EDB | | |



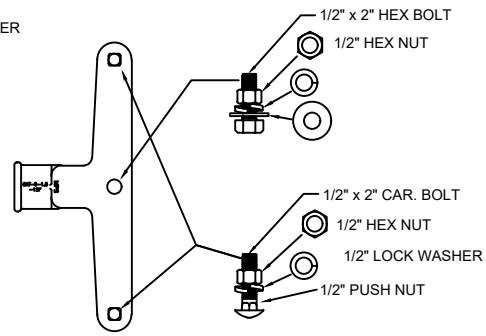
END FITTING VIEW -DD, -DDSC SUFFIX
->CAT-0-1.5-12FC



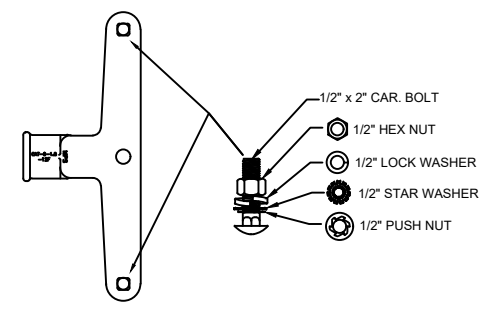
END FITTING VIEW -DDB, -DDBC SUFFIX
->CAT-0-1.5-12F-H (OPTIONAL)
W/ HARDWARE



END FITTING VIEW -DDBS, -DDBSC SUFFIX
->CAT-0-1.5-12F-S24 (OPTIONAL)
W/ 3/8" X 2" X 25.5" STEEL STRAP



END FITTING VIEW -DDX SUFFIX
->CAT-0-1.5-12FHX (OPTIONAL)
W/ HARDWARE



END FITTING VIEW -DDW, -DDWC SUFFIX
->CAT-0-1.5-12FW (OPTIONAL)
W/ HARDWARE

| CATALOG NUMBER | | LENGTHS (IN) | | ULTIMATE MECHANICAL STRENGTHS (LBS) | | |
|----------------------------|-------------------------------|--------------|----|-------------------------------------|----------|-----------|
| POLYURETHANE COATED SERIES | SILICONE RUBBER COATED SERIES | L1 | L2 | F1 VERT. | F2 LONG. | F3 TRANS. |
| G3MA023613DD | G3MA023613DDSC | 36 | 13 | 1200 | 900 | 10000 |
| G3MA023618DD | G3MA023618DDSC | 36 | 18 | 1200 | 900 | 10000 |
| G3MA024221DD | G3MA024221DDSC | 42 | 21 | 1025 | 800 | 10000 |
| G3MA024813DD | G3MA024813DDSC | 48 | 13 | 900 | 700 | 10000 |
| G3MA024816DD | G3MA024816DDSC | 48 | 16 | 900 | 700 | 10000 |
| G3MA024818DD | G3MA024818DDSC | 48 | 18 | 900 | 700 | 10000 |
| G3MA024824DD | G3MA024824DDSC | 48 | 24 | 900 | 700 | 10000 |
| G3MA026030DD | G3MA026030DDSC | 60 | 30 | 700 | 500 | 10000 |

NOTE: "BX" SUFFIX INDICATES BOXED. EX. G3MA024813DBBX.

NOTES:

- 1.0 MATERIAL
 - 1.1 BASE - ALUMINUM, A356-T6
 - 1.2 END FITTING - DUCTILE IRON GRADE 654512
 - 1.3 ROD - FIBERGLASS
- 2.0 FINISH
 - 2.1 BASE - NONE
 - 2.2 END FITTING - HOT DIP GALVANIZED PER ASTM-A-153
 - 2.3 ROD - ULTRAVIOLET PROTECTIVE COATING, MUNSEL GRAY (OPTIONAL) - VULCANIZED SILICONE RUBBER, GRAY
- 3.0 DIMENSIONS IN INCHES

This information is confidential and is the property of Maclean Power Systems. It may not be made public or reproduced except that the Customer may make copies for use solely in installation, maintenance, and operation of products supplied by Maclean Power Systems.

MACLEAN POWER SYSTEMS
A Maclean-fogg Company

G3MA02-"L1L2"-DD SERIES
TRIPLE PHASE, ZERO DEGREE,
DOUBLE POSITION BRACKET

| | | | |
|---------------|------------|--------------|-------|
| DATE: 6-08-12 | SCALE: 1:1 | NO. CEB-3993 | R/5 |
| DWN: MYL | CD: APR | | SH/DF |

ENG. REF.