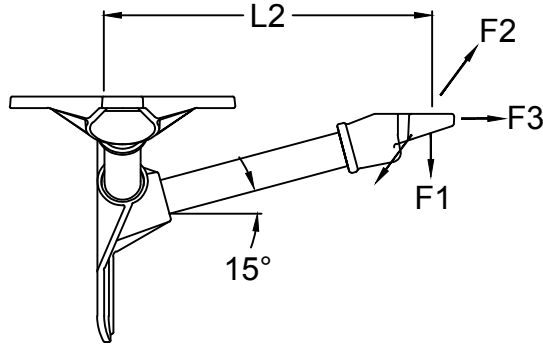
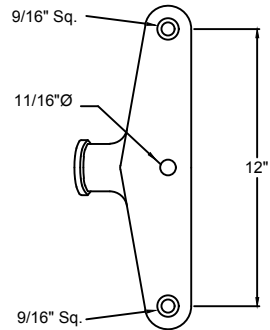


REVISIONS

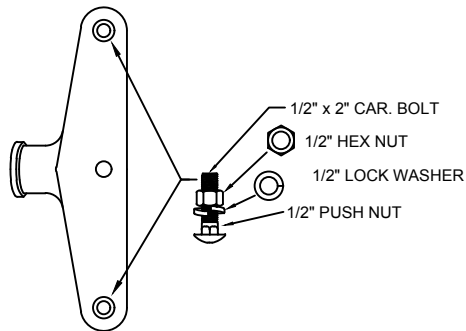
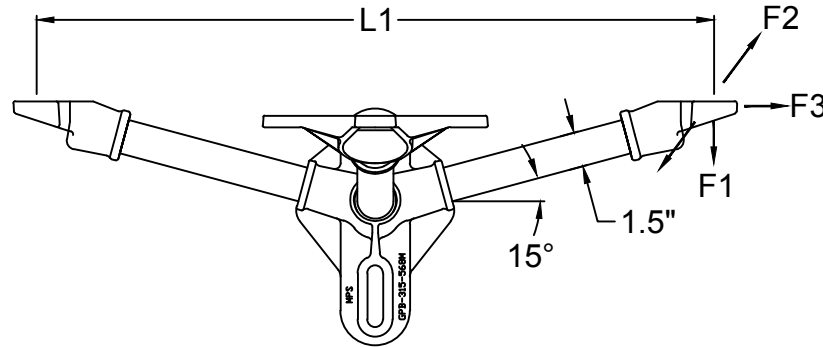
NO.	DATE	DESCRIPTION	BY	CHK
1	09/14/15	ADDED 4816 SIZE.	WCL	WCL
2	03/01/18	ADDED *-ADW* HARDWARE OPTION	MBG	



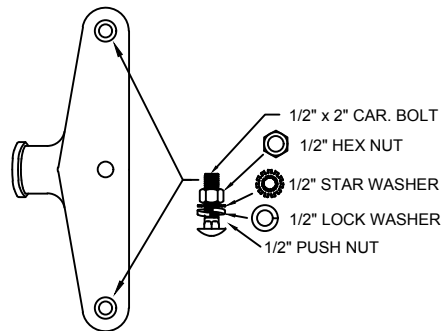
CATALOG NUMBER		LENGTHS (IN)		ULTIMATE MECHANICAL STRENGTHS (LBS)		
POLYURETHANE COATED SERIES	SILICONE RUBBER COATED SERIES	L1	L2	F1 VERT.	F2 LONG.	F3 TRANS.
G3MAA13013AD	G3MAA13013ADSC	30	13	1450	1100	10000
G3MAA13613AD	G3MAA13613ADSC	36	13	1200	900	10000
G3MAA13618AD	G3MAA13618ADSC	36	18	1200	900	10000
G3MAA14813AD	G3MAA14813ADSC	48	13	900	675	10000
G3MAA14816AD	G3MAA14816ADSC	48	16	900	675	10000
G3MAA14818AD	G3MAA14818ADSC	48	18	900	675	10000
G3MAA14824AD	G3MAA14824ADSC	48	24	900	675	10000



END FITTING VIEW - "AD" OR "ADSC"



END FITTING VIEW - "ADB" OR "ADBC"



END FITTING VIEW - "ADW" OR "ADWC"

NOTES:

- 1.0 MATERIAL
  - 1.1 BASE - ALUMINUM, A356-T6
  - 1.2 END FITTING - ALUMINUM, A356-T6
  - 1.3 ROD - FIBERGLASS
- 2.0 FINISH
  - 2.1 BASE - NONE
  - 2.2 END FITTING - NONE
  - 2.3 ROD - ULTRAVIOLET PROTECTIVE COATING, MUNSEL GRAY (OPTIONAL) - VULCANIZED SILICONE RUBBER, GRAY
- 3.0 DIMENSIONS IN INCHES



**MACLEAN POWER SYSTEMS**  
A Maclean-fogg Company

G3MAA1-"L1L2"-AD SERIES  
TRIPLE PHASE DOUBLE POSITION BRACKET

This information is confidential and is the property of Maclean Power Systems. It may not be made public or reproduced except that the Customer may make copies for use solely in installation, maintenance, and operation of products supplied by Maclean Power Systems.

DATE: 6-08-12	SCALE: 1:1	NO.	CEB-3994	R 2	SH OF
DWN: MYL	CHK: LRF	APP: RFP			

ENG. REF.