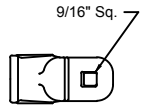
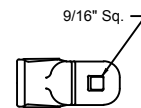


REVISIONS

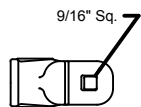
NO.	DATE	DESCRIPTION	BY	CKD



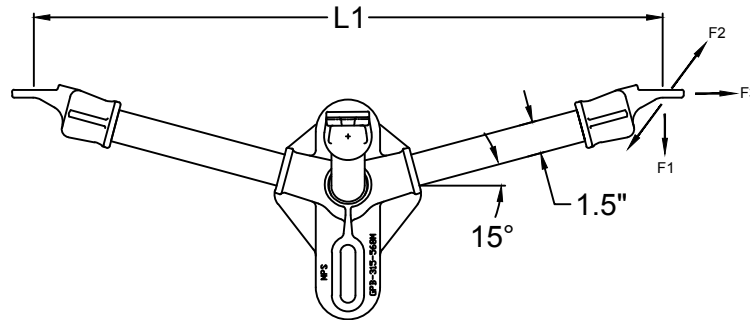
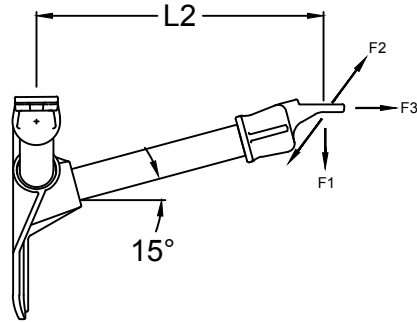
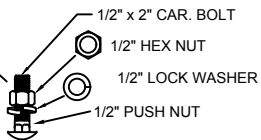
END FITTING VIEW
-DC, DCSC



END FITTING VIEW -DCB, DCBC
(OPTIONAL)



END FITTING VIEW -DCW, DCWC
(OPTIONAL)




CATALOG NUMBER		LENGTHS (IN)		ULTIMATE MECHANICAL STRENGTHS (LBS)		
POLYURETHANE COATED SERIES	SILICONE RUBBER COATED SERIES	L1	L2	F1 VERT.	F2 LONG.	F3 TRANS.
G3MAA13613DC	G3MAA13613DCSC	36	13	1200	900	10000
G3MAA13618DC	G3MAA13618DCSC	36	18	1200	900	10000
G3MAA14813DC	G3MAA14813DCSC	48	13	900	675	10000
G3MAA14818DC	G3MAA14818DCSC	48	18	900	675	10000
G3MAA14824DC	G3MAA14824DCSC	48	24	900	675	10000

NOTES:

- 1.0 MATERIAL
 - 1.1 BASE - DUCTILE IRON GRADE 654512
 - 1.2 END FITTING - DUCTILE IRON GRADE 654512
 - 1.3 ROD - FIBERGLASS
- 2.0 FINISH
 - 2.1 BASE - HOT DIP GALVANIZED PER ASTM-A-153
 - 2.2 END FITTING - HOT DIP GALVANIZED PER ASTM-A-153
 - 2.3 ROD - ULTRAVIOLET PROTECTIVE COATING, MUNSEL GRAY (OPTIONAL) - VULCANIZED SILICONE RUBBER, GRAY
- 3.0 DIMENSIONS IN INCHES

ENG. REF.

This information is confidential and is the property of Maclean Power Systems. It may not be made public or reproduced except that the Customer may make copies for use solely in installation, maintenance, and operation of products supplied by Maclean Power Systems.

 MACLEAN POWER SYSTEMS A Maclean-togg Company	
G3MAA1-"L1L2"-DC SERIES TRIPLE PHASE CUTOUT ARRESTOR BRACKET	
DATE: 6-08-12	SCALE: 1:1
DRAWN BY: MYL	CHKD BY: []
NO. CEB-3995	
R	SH
0	DF