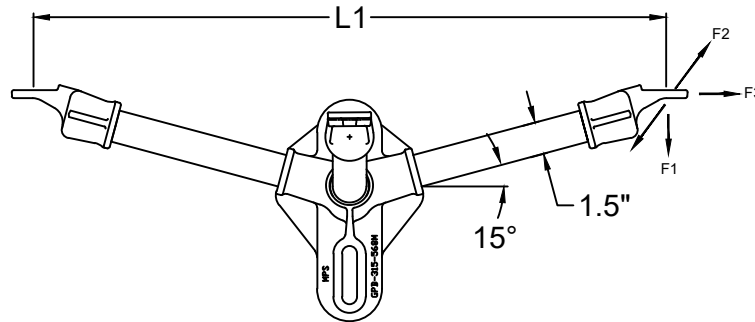
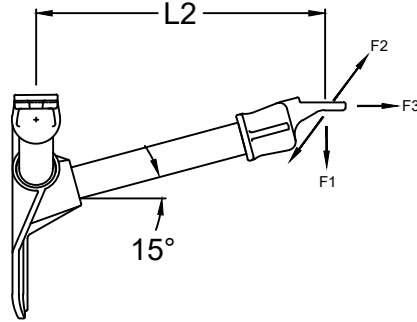
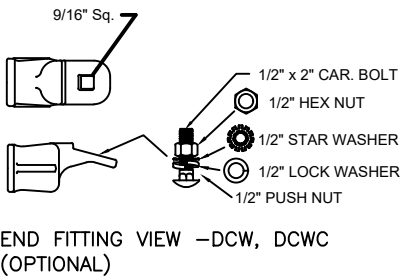
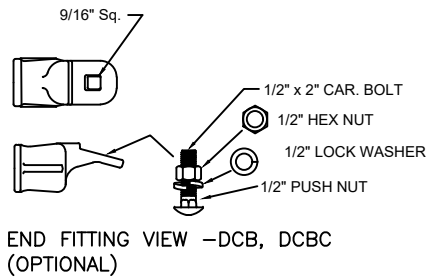
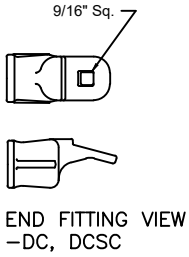


REVISIONS

| NO. | DATE | DESCRIPTION | BY | CKD |
|-----|----------|------------------------------|-----|-----|
| 1 | 11/18/21 | CHANGED PAINT OPTION TO VEIL | EDB | |



| CATALOG NUMBER | | LENGTHS (IN) | | ULTIMATE MECHANICAL STRENGTHS (LBS) | | |
|----------------------------|-------------------------------|--------------|----|-------------------------------------|----------|-----------|
| POLYURETHANE COATED SERIES | SILICONE RUBBER COATED SERIES | L1 | L2 | F1 VERT. | F2 LONG. | F3 TRANS. |
| G3MAA13613DC | G3MAA13613DCSC | 36 | 13 | 1200 | 900 | 10000 |
| G3MAA13618DC | G3MAA13618DCSC | 36 | 18 | 1200 | 900 | 10000 |
| G3MAA14813DC | G3MAA14813DCSC | 48 | 13 | 900 | 675 | 10000 |
| G3MAA14818DC | G3MAA14818DCSC | 48 | 18 | 900 | 675 | 10000 |
| G3MAA14824DC | G3MAA14824DCSC | 48 | 24 | 900 | 675 | 10000 |

NOTES:

- 1.0 MATERIAL
 - 1.1 BASE - DUCTILE IRON GRADE 654512
 - 1.2 END FITTING - DUCTILE IRON GRADE 654512
 - 1.3 ROD - FIBERGLASS
- 2.0 FINISH
 - 2.1 BASE - HOT DIP GALVANIZED PER ASTM-A-153
 - 2.2 END FITTING - HOT DIP GALVANIZED PER ASTM-A-153
 - 2.3 ROD - ULTRAVIOLET PROTECTIVE VEIL COATING, GRAY (OPTIONAL) - VULCANIZED SILICONE RUBBER, GRAY
- 3.0 DIMENSIONS IN INCHES

This information is confidential and is the property of Maclean Power Systems. It may not be made public or reproduced except that the Customer may make copies for use solely in installation, maintenance, and operation of products supplied by Maclean Power Systems.



MACLEAN POWER SYSTEMS
A Maclean-fogg Company

G3MAA1-"L1L2"-DC SERIES
TRIPLE PHASE CUTOUT ARRESTOR BRACKET

ENG. REF.

| | | | | | |
|---------------|------------|----------|----------|--------|----------|
| DATE: 6-08-12 | SCALE: 1:1 | NO. | CEB-3995 | R 1 | SH OF |
| DWG. BY: MYL | CHK. BY: | APR. BY: | | | |