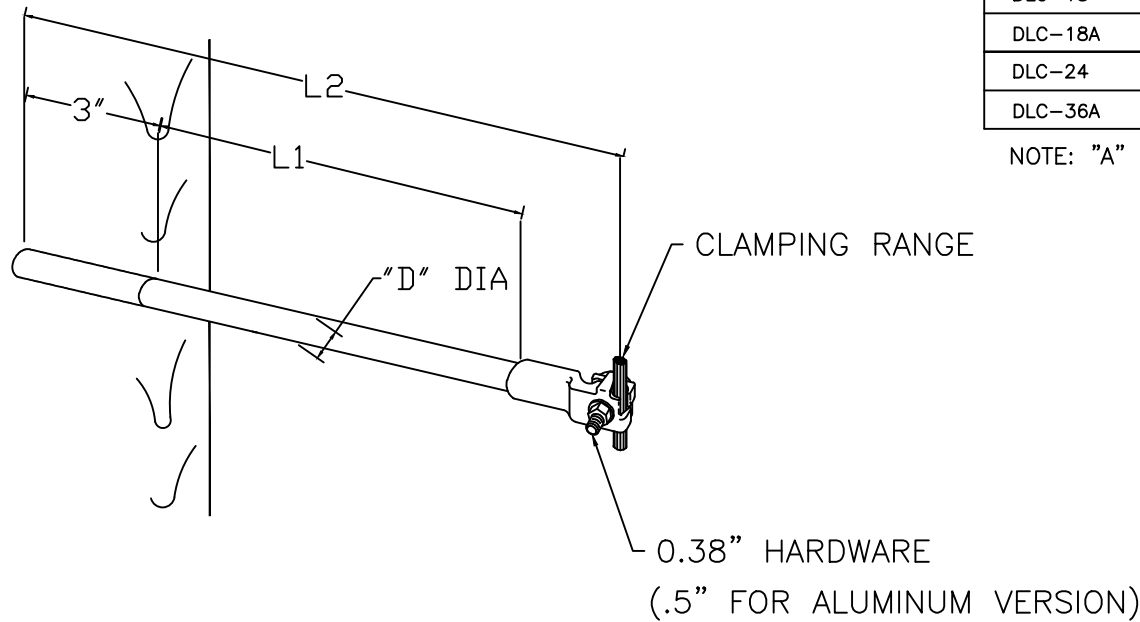


REVISIONS				
NO.	DATE	DESCRIPTION	BY	CHKD




CATALOG NUMBER		LENGTHS (IN)			WIRE RANGE
POLYURETHANE COATED SERIES	SILICONE RUBBER COATED SERIES	L1	L2	D	DIAMETER
DLC-12	-	12	18.25	.750	.125-.398
DLC-12A	-	12	18.25	.750	.125-.398
DLC-18	-	18	24.25	.750	.125-.398
DLC-18A	-	18	24.25	.750	.125-.398
DLC-24	-	24	30.25	.750	.125-.398
DLC-36A	-	36	42.25	.750	.125-.398

NOTE: "A" SUFFIX INDICATES ALUMINUM END FITTING.

NOTES:

- 1.0 MATERIAL
 - 1.1 BASE - DUCTILE IRON 654512
 - 1.2 ROD - FIBERGLASS
 - 1.3 END FITTING - DUCTILE IRON 654512/ ALUMINUM A356-T6 FOR "A" OPTION
 - 1.4 HARDWARE - STEEL
- 2.0 FINISH
 - 2.1 BASE - HOT DIP GALVANIZED PER ASTM-A-153
 - 2.2 ROD - ULTRAVIOLET PROTECTIVE COATING, MUNSEL GRAY
 - 2.3 END FITTING - HOT DIP GALVANIZED PER ASTM-A-153/ NONE FOR "A" OPTION
 - 2.4 HARDWARE - HOT DIP GALVANIZED PER ASTM-A-153
- 3.0 DIMENSIONS IN INCHES


MACLEAN POWER SYSTEMS
 A Maclean-fogg Company

DLC-"L1" SERIES
 DOWN LEAD BRACKET

ENG. REF.

This information is confidential and is the property of Maclean Power Systems. It may not be made public or reproduced except that the Customer may make copies for use solely in installation, maintenance, and operation of products supplied by Maclean Power Systems.

DATE: 6-26-12	SCALE: 1:1	NO.:	R	SHL
CHKD. BY: MYL	APPR. BY:	CEB-3999	/0	DF