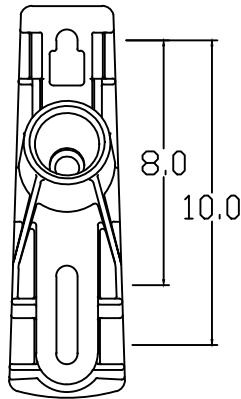
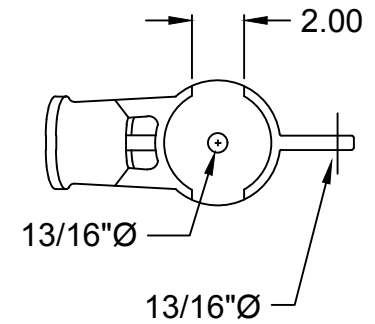
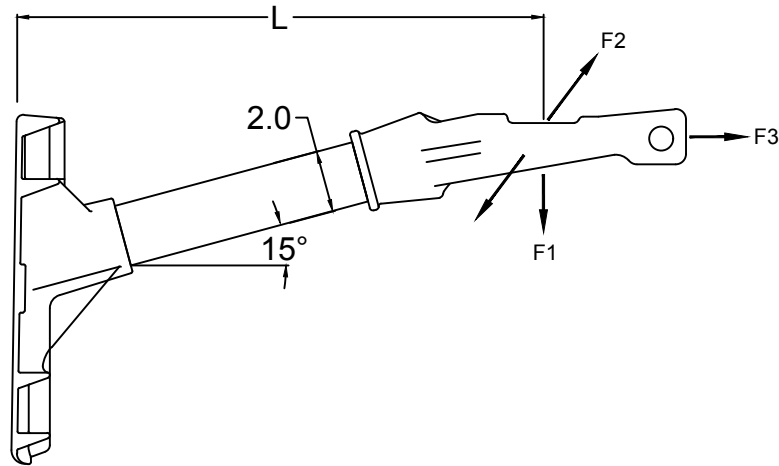


REVISIONS

NO.	DATE	DESCRIPTION	BY	CKD
1	05/26/15	SHOULD HAVE A SINGLE SLOT NOT TWO	WCL	WCL



BASE VIEW



END FITTING - *PD-138

CATALOG NUMBER		LENGTHS (IN)		ULTIMATE MECHANICAL STRENGTHS (LBS)		
POLYURETHANE COATED SERIES	SILICONE RUBBER COATED SERIES	L	VERTICAL	LONGITUDINAL	TRANSVERSE	
G1HAA312AU	G1HAA312AUSC	12	3000	1800	10000	
G1HAA318AU	G1HAA318AUSC	18	2250	1500	10000	
G1HAA324AU	G1HAA324AUSC	24	1750	1100	10000	

NOTES:

- 1.0 MATERIAL
 - 1.1 BASE - ALUMINUM, A356-T6
 - 1.2 END FITTING - ALUMINUM, A356-T6
 - 1.3 ROD - FIBERGLASS
- 2.0 FINISH
 - 2.1 BASE - NONE
 - 2.2 END FITTING - NONE
 - 2.3 ROD - ULTRAVIOLET PROTECTIVE COATING, MUNSSEL GRAY (OPTIONAL) - VULCANIZED SILICONE RUBBER, GRAY
- 3.0 DIMENSIONS IN INCHES

This information is confidential and is the property of Maclean Power Systems. It may not be made public or reproduced except that the Customer may make copies for use solely in installation, maintenance, and operation of products supplied by Maclean Power Systems.

MACLEAN POWER SYSTEMS
A Maclean-togg Company

G1HAA3-"L"-AU SERIES

SINGLE PHASE, ANGLED UNIVERSAL BRACKET

DATE: 6-14-12	SCALE: 1:1	NO.	CEB-4000	R/1	SH/
DRAWN BY: MYL	CHKD BY:	APP. BY:			

ENG. REF.