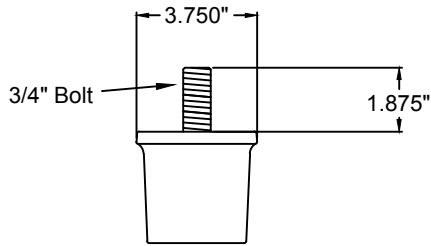
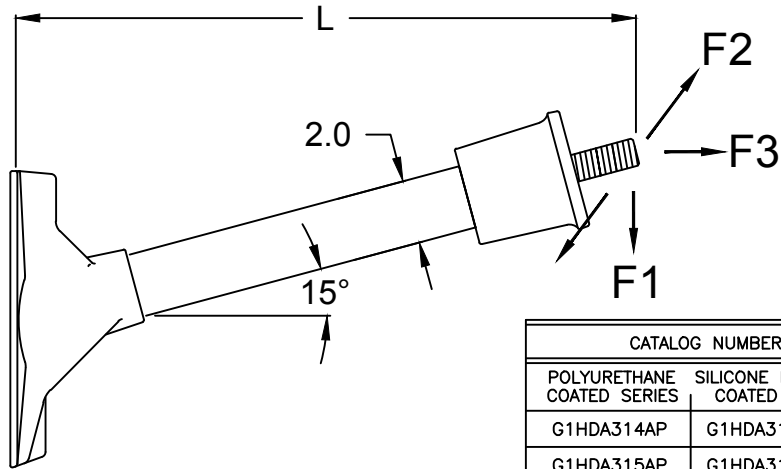


REVISIONS

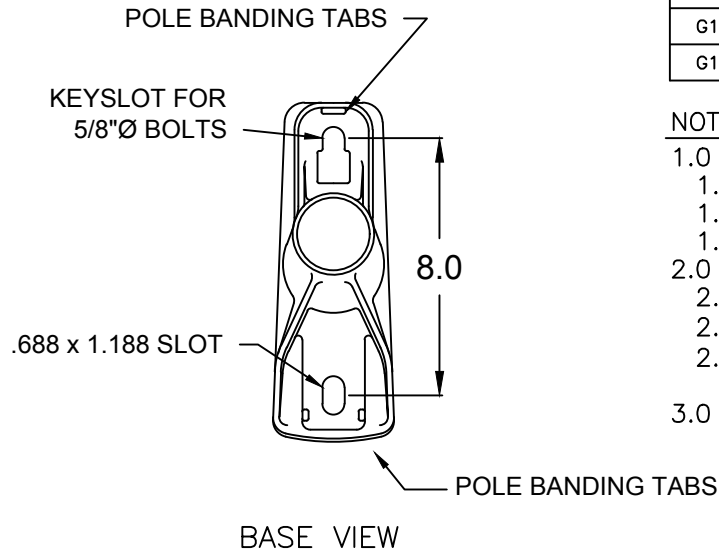
NO.	DATE	DESCRIPTION	BY	CKD
1	05/25/17	REMOVED NUT FROM END CAP	MBG	
2	06/05/17	ADDED 24", 30" AND 36" OPTIONS	MBG	



END FITTING VIEW - *G1A-CAP



CATALOG NUMBER		LENGTHS (IN)	ULTIMATE MECHANICAL STRENGTHS (LBS)		
POLYURETHANE COATED SERIES	SILICONE RUBBER COATED SERIES	L1	VERTICAL	LONGITUDINAL	TRANSVERSE
G1HDA314AP	G1HDA314APSC	14	2900	1900	2500
G1HDA315AP	G1HDA315APSC	15	2700	1800	2500
G1HDA318AP	G1HDA318APSC	18	2250	1500	2500
G1HDA321AP	G1HDA321APSC	21	1900	1300	2500
G1HDA324AP	G1HDA324APSC	24	1650	1125	2500
G1HDA330AP	G1HDA330APSC	30	1325	900	2500
G1HDA336AP	G1HDA336APSC	36	1100	750	2500



NOTES:

- 1.0 MATERIAL
 - 1.1 BASE - DUCTILE IRON 654512
 - 1.2 END FITTING - ALUMINUM, A356-T6
 - 1.3 ROD - FIBERGLASS
- 2.0 FINISH
 - 2.1 BASE - HOT DIP GALVANIZED PER ASTM-A-153
 - 2.2 END FITTING - NONE
 - 2.3 ROD - ULTRAVIOLET PROTECTIVE COATING, MUNSEL GRAY (OPTIONAL) - VULCANIZED SILICONE RUBBER, GRAY
- 3.0 DIMENSIONS IN INCHES



MACLEAN POWER SYSTEMS
A Maclean-fogg Company

G1HDA3-"L"-AP SERIES
SINGLE PHASE POST INSULATOR BRACKET

This information is confidential and is the property of Maclean Power Systems. It may not be made public or reproduced except that the Customer may make copies for use solely in installation, maintenance, and operation of products supplied by Maclean Power Systems.

DATE 6-14-12	SCALE 1:1	NO.	R	SHL
DRN: MYL	CRD: BR	APR: BR	CEB-4009	2

ENG. REF.