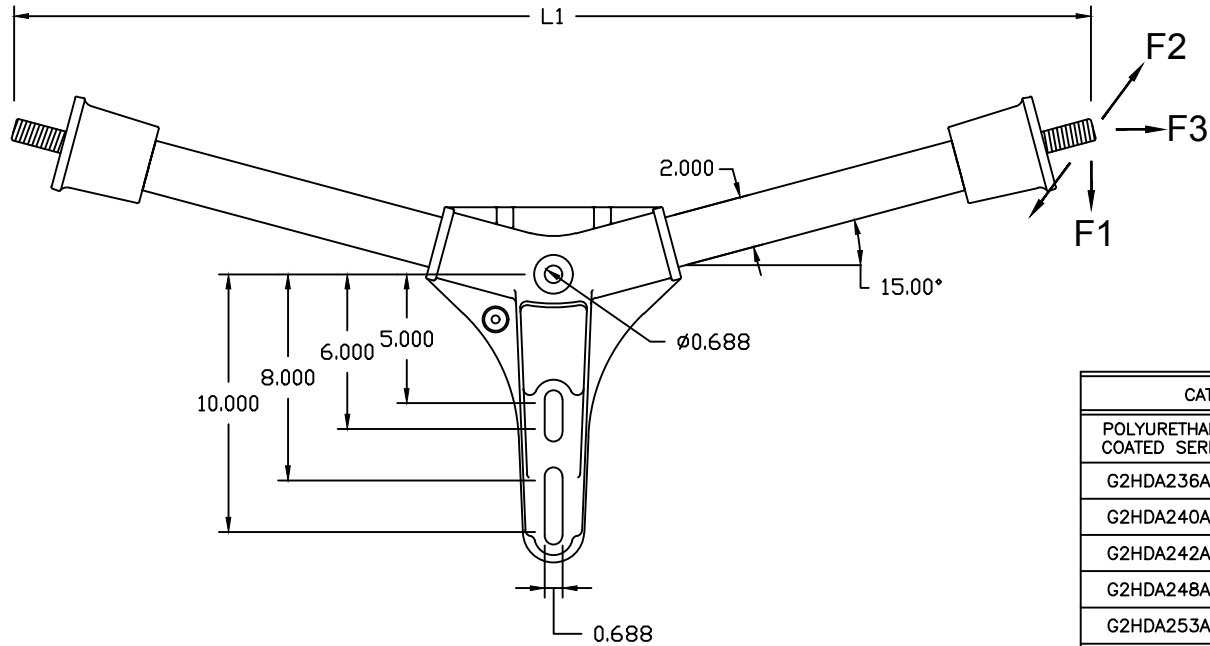
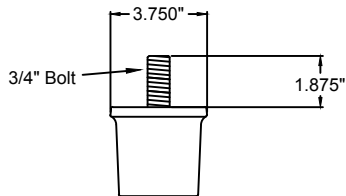


| REVISIONS |         |                          |     |     |
|-----------|---------|--------------------------|-----|-----|
| NO.       | DATE    | DESCRIPTION              | BY  | CKD |
| 1         | 5/25/17 | REMOVED NUT FROM END CAP | MBG |     |



| CATALOG NUMBER             |                               | LENGTHS (IN) |          | ULTIMATE MECHANICAL STRENGTHS (LBS) |            |  |
|----------------------------|-------------------------------|--------------|----------|-------------------------------------|------------|--|
| POLYURETHANE COATED SERIES | SILICONE RUBBER COATED SERIES | L1           | VERTICAL | LONGITUDINAL                        | TRANSVERSE |  |
| G2HDA236AP                 | G2HDA236APSC                  | 34           | 2550     | 2000                                | 2500       |  |
| G2HDA240AP                 | G2HDA240APSC                  | 40           | 2300     | 1800                                | 2500       |  |
| G2HDA242AP                 | G2HDA242APSC                  | 42           | 2200     | 1700                                | 2500       |  |
| G2HDA248AP                 | G2HDA248APSC                  | 48           | 1900     | 1500                                | 2500       |  |
| G2HDA253AP                 | G2HDA253AP2SC                 | 53           | 1725     | 1350                                | 2500       |  |
| G2HDA260AP                 | G2HDA260APSC                  | 60           | 1550     | 1200                                | 2500       |  |
| G2HDA272AP                 | G2HDA272APSC                  | 72           | 1275     | 1000                                | 2500       |  |



END FITTING VIEW - \*GIA-CAP

**NOTES:**

- 1.0 MATERIAL
  - 1.1 BASE - DUCTILE IRON GRADE 654512
  - 1.2 END FITTING - ALUMINUM A356-T6
  - 1.3 ROD - FIBERGLASS
- 2.0 FINISH
  - 2.1 BASE - HOT DIP GALVANIZED PER ASTM-A-153
  - 2.2 END FITTING - HOT DIP GALVANIZED PER ASTM-A-153
  - 2.3 ROD - ULTRAVIOLET PROTECTIVE COATING, MUNSEL GRAY (OPTIONAL) - VULCANIZED SILICONE RUBBER, GRAY
- 3.0 DIMENSIONS IN INCHES



G2HDA2-"L"-AP SERIES  
DOUBLE PHASE POST INSULATOR BRACKET

ENG. REF.

This information is confidential and is the property of Maclean Power Systems. It may not be made public or reproduced except that the Customer may make copies for use solely in installation, maintenance, and operation of products supplied by Maclean Power Systems.

|               |             |          |          |     |   |
|---------------|-------------|----------|----------|-----|---|
| DATE: 6-19-12 | SCALE: 1:1  | NO.:     | CEB-4031 | R   | 1 |
| DRAWN BY: MYL | CHKD BY: LV | APPR BY: |          | SHL |   |