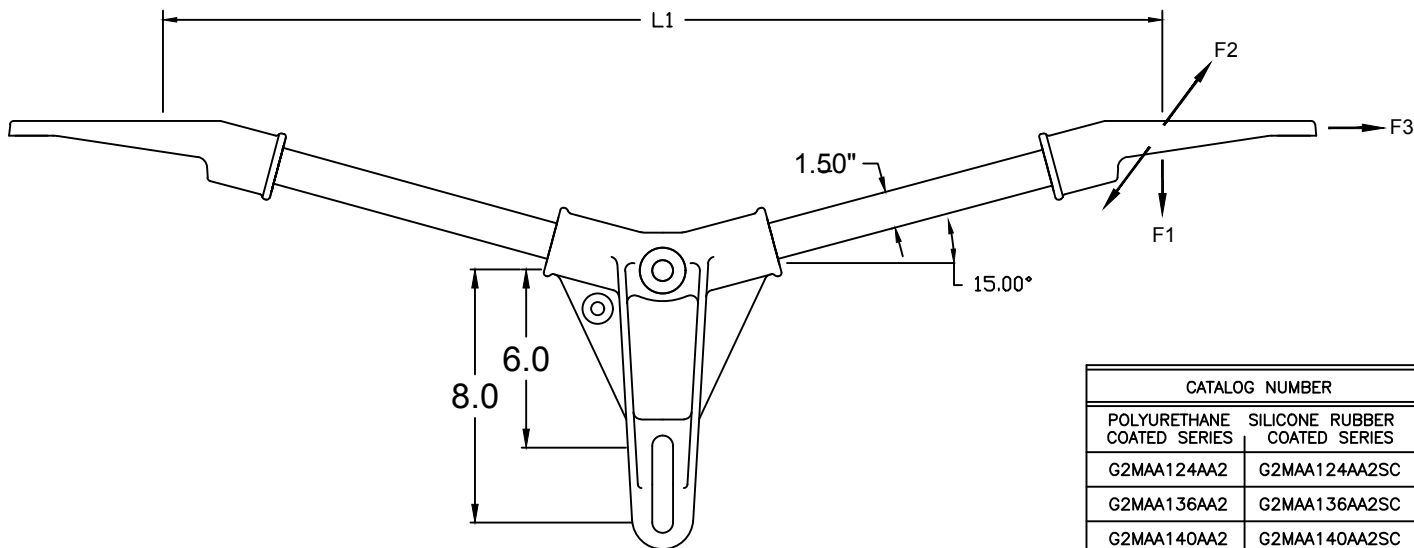
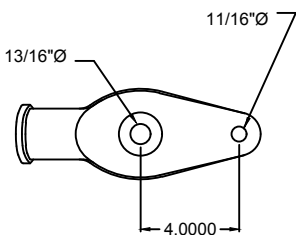


REVISIONS

NO.	DATE	DESCRIPTION	BY	CKD
1	10/13/14	ADDED 24" SIZE.	WCL	WCL
2	11/27/18	UPDATED CAT# WITH "AA2" SUFFIX	MBG	



CATALOG NUMBER		LENGTHS (IN)		ULTIMATE MECHANICAL STRENGTHS (LBS)		
POLYURETHANE COATED SERIES	SILICONE RUBBER COATED SERIES	L1	VERTICAL	LONGITUDINAL	TRANSVERSE	
G2MAA124AA2	G2MAA124AA2SC	24	2000	1500	10000	
G2MAA136AA2	G2MAA136AA2SC	36	1600	1350	10000	
G2MAA140AA2	G2MAA140AA2SC	40	1450	1200	10000	
G2MAA142AA2	G2MAA142AA2SC	42	1375	1150	10000	
G2MAA148AA2	G2MAA148AA2SC	48	1200	1000	10000	
G2MAA154AA2	G2MAA154AA2SC	54	1075	900	10000	
G2MAA160AA2	G2MAA160AA2SC	60	975	800	10000	
G2MAA172AA2	G2MAA172AA2SC	72	800	700	10000	



END FITTING VIEW -P6386-01

NOTES:

- 1.0 MATERIAL
 - 1.1 BASE - ALUMINUM A356-T6
 - 1.2 END FITTING - ALUMINUM A356-T6
 - 1.3 ROD - FIBERGLASS
- 2.0 FINISH
 - 2.1 BASE - NONE
 - 2.2 END FITTING - NONE
 - 2.3 ROD - ULTRAVIOLET PROTECTIVE COATING, MUNSEL GRAY (OPTIONAL) - VULCANIZED SILICONE RUBBER, GRAY
- 3.0 DIMENSIONS IN INCHES



MACLEAN POWER SYSTEMS
A Maclean-togg Company

G2MAA1-"L"-AA2 SERIES
DOUBLE PHASE SINGLE POSITION BRACKET

ENG. REF.

This information is confidential and is the property of Maclean Power Systems. It may not be made public or reproduced except that the Customer may make copies for use solely in installation, maintenance, and operation of products supplied by Maclean Power Systems.

DATE: 6-19-12	SCALE: 1:1	NO.	CEB-4038	R/2	SH/
DRAWN BY: MYL	CHKD BY:	APPR BY:			