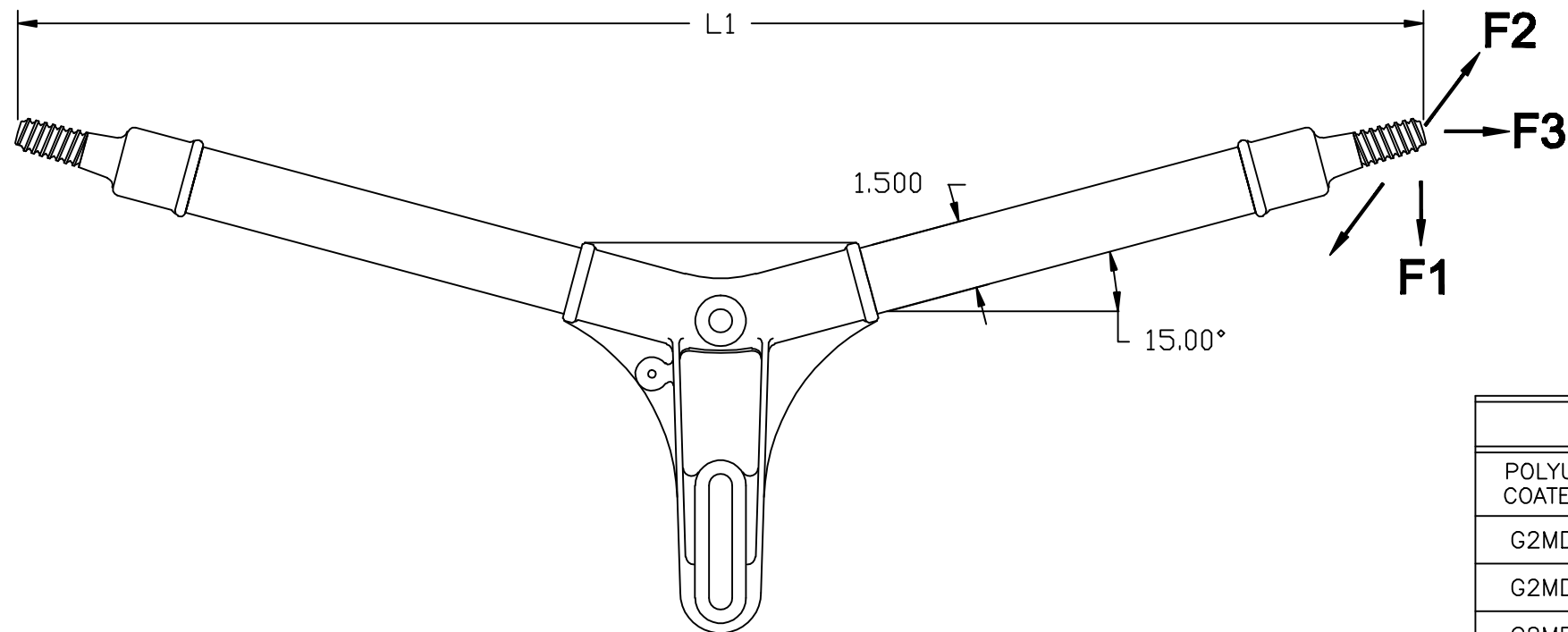
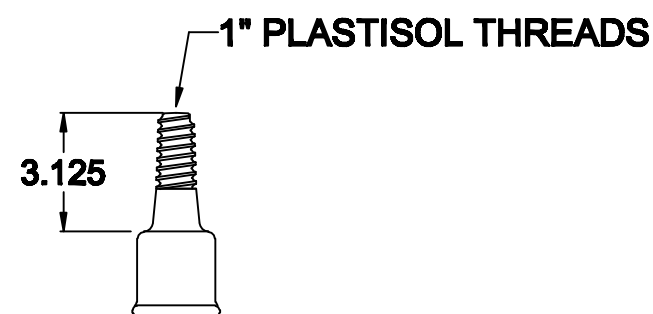


REVISIONS				
NO.	DATE	DESCRIPTION	BY	CKD



CATALOG NUMBER		LENGTHS (IN)	ULTIMATE MECHANICAL STRENGTHS (LBS)		
POLYURETHANE COATED SERIES	SILICONE RUBBER COATED SERIES	L1	VERTICAL	LONGITUDINAL	TRANSVERSE
G2MDA136AS1	G2MDA136AS1SC	36	1600	1325	2000
G2MDA140AS1	G2MDA140AS1SC	40	1450	1200	2000
G2MDA142AS1	G2MDA142AS1SC	42	1375	1150	2000
G2MDA148AS1	G2MDA148AS1SC	48	1200	1000	2000
G2MDA154AS1	G2MDA154AS1SC	54	1050	900	2000
G2MDA160AS1	G2MDA160AS1SC	60	975	800	2000
G2MDA172AS1	G2MDA172AS1SC	72	800	650	2000




END FITTING VIEW - P6511-01

NOTES:

- 1.0 MATERIAL
 - 1.1 BASE - DUCTILE IRON GRADE 654512
 - 1.2 END FITTING - ALUMINUM, A356-T6
 - 1.3 ROD - FIBERGLASS
- 2.0 FINISH
 - 2.1 BASE - HOT DIP GALVANIZED PER ASTM-A-153
 - 2.2 END FITTING - NONE
 - 2.3 ROD - ULTRAVIOLET PROTECTIVE COATING, MUNSEL GRAY (OPTIONAL) - VULCANIZED SILICONE RUBBER, GRAY
- 3.0 DIMENSIONS IN INCHES

This information is confidential and is the property of Maclean Power Systems. It may not be made public or reproduced except that the Customer may make copies for use solely in installation, maintenance, and operation of products supplied by Maclean Power Systems.

 MACLEAN POWER SYSTEMS A Maclean-fogg Company	
G2MDA1-"L"-AS1 SERIES DOUBLE PHASE W/ 1" INSULATOR PIN	
DATE: 6-20-12	SCALE: 1:1
DWN. BY: MYL	NO. CEB-4042
CKD. BY:	R/0
APR. BY:	SH. OF

ENG. REF.