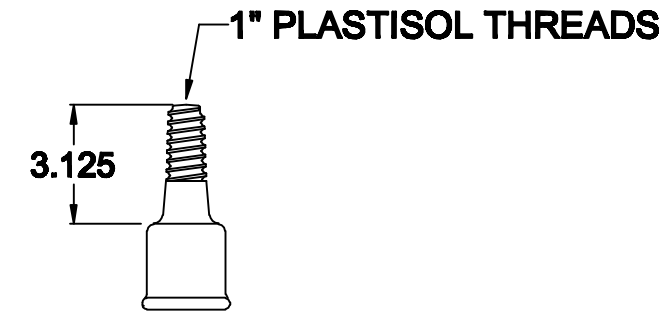
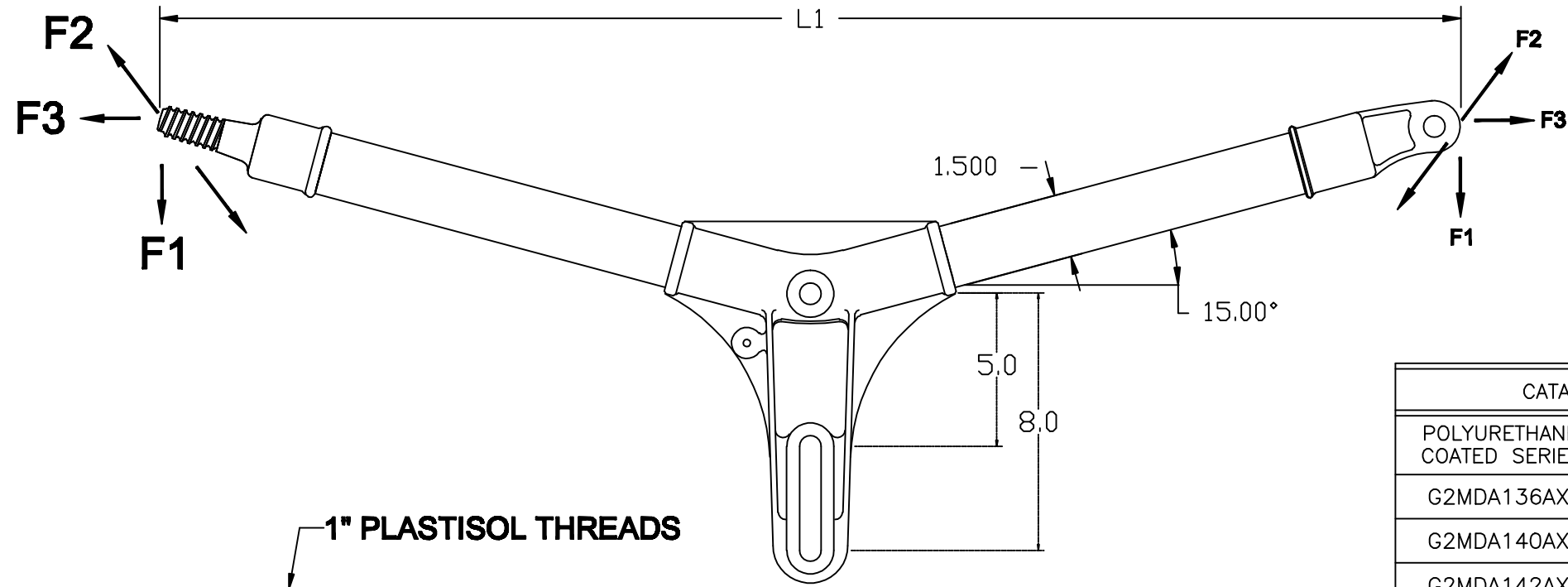
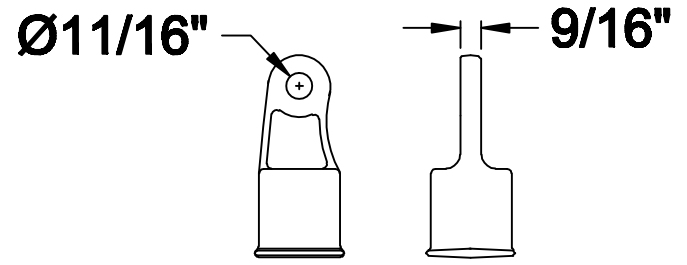


REVISIONS				
NO.	DATE	DESCRIPTION	BY	CKD



END FITTING VIEW - P6511-01

CATALOG NUMBER		LENGTHS (IN)	ULTIMATE MECHANICAL STRENGTHS (LBS)		
POLYURETHANE COATED SERIES	SILICONE RUBBER COATED SERIES	L1	VERTICAL	LONGITUDINAL	TRANSVERSE
G2MDA136AX1	G2MDA136AX1SC	36	1600	1325	2000
G2MDA140AX1	G2MDA140AX1SC	40	1450	1200	2000
G2MDA142AX1	G2MDA142AX1SC	42	1375	1150	2000
G2MDA148AX1	G2MDA148AX1SC	48	1200	1000	2000
G2MDA154AX1	G2MDA154AX1SC	54	1050	900	2000
G2MDA160AX1	G2MDA160AX1SC	60	975	800	2000
G2MDA172AX1	G2MDA172AX1SC	72	800	650	2000



END FITTING VIEW - GPB-M-E-1.5

NOTES:

- 1.0 MATERIAL
 - 1.1 BASE - DUCTILE IRON GRADE 654512
 - 1.2 END FITTING - ALUMINUM, A356-T6
 - 1.3 ROD - FIBERGLASS
- 2.0 FINISH
 - 2.1 BASE - HOT DIP GALVANIZED PER ASTM-A-153
 - 2.2 END FITTING - NONE
 - 2.3 ROD - ULTRAVIOLET PROTECTIVE COATING, MUNSEL GRAY (OPTIONAL) - VULCANIZED SILICONE RUBBER, GRAY
- 3.0 DIMENSIONS IN INCHES

This information is confidential and is the property of Maclean Power Systems. It may not be made public or reproduced except that the Customer may make copies for use solely in installation, maintenance, and operation of products supplied by Maclean Power Systems.



G2MDA1-"L"-AX1 SERIES
DOUBLE PHASE W/ 1.5" INSULATOR PIN
AND W/ SIDE EYE

ENG. REF.

DATE: 6-20-12	SCALE: 1:1	NO. CEB-4043	R/0	SH. OF
DWN. BY: MYL	CKD. BY:	APR. BY:		