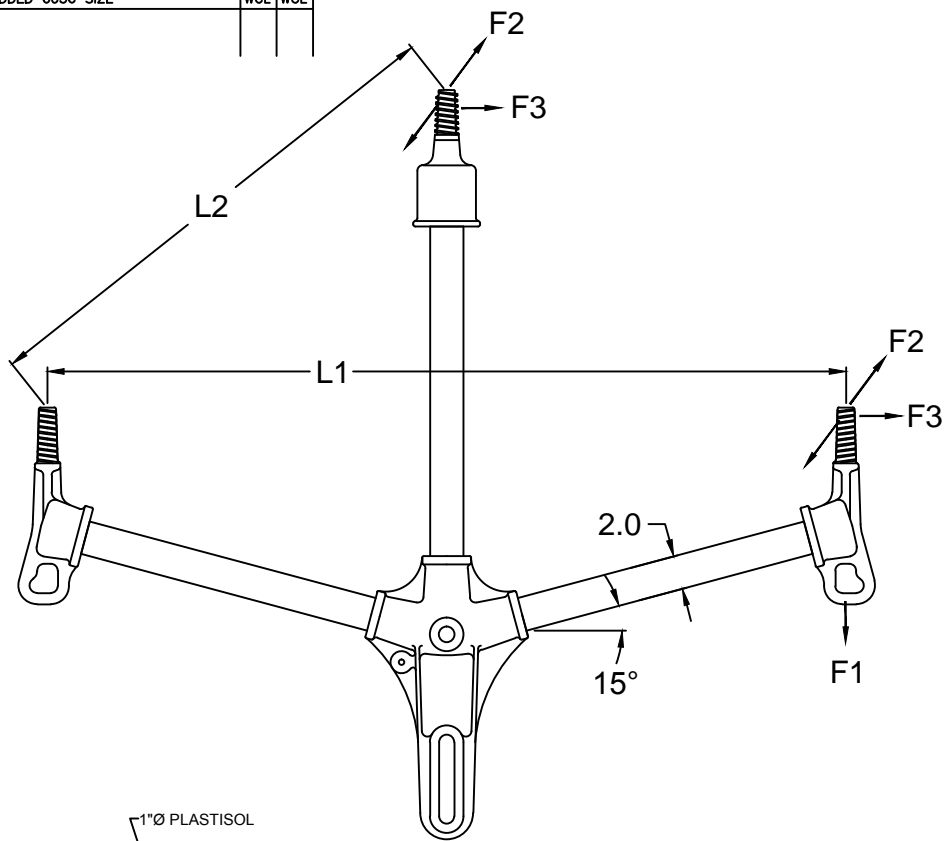
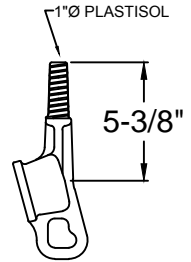


REVISIONS				
NO.	DATE	DESCRIPTION	BY	CKD
1	5/09/16	ADDED 6036 SIZE	WCL	WCL

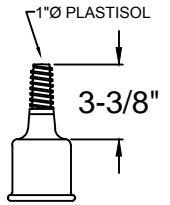
CATALOG NUMBER	LENGTHS (IN)		ULTIMATE MECHANICAL STRENGTHS (LBS)		
	L1	L2	F1 VERT.	F2 LONG.	F3 TRANS.
G3HDV14228DY1	42	28	1850	1050	2500
G3HDV14828DY1	48	28	1600	1050	2500
G3HDV16036DY1	60	36	1300	800	2500



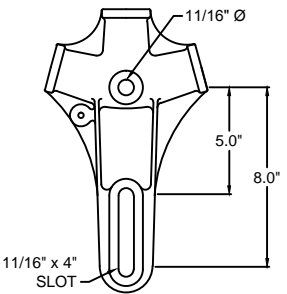
- NOTES:
- 1.0 MATERIAL
 - 1.1 BASE - DUCTILE IRON GRADE 654512
 - 1.2 END FITTING - DUCTILE IRON GRADE 654512
 - 1.3 ROD - FIBERGLASS
 - 2.0 FINISH
 - 2.1 BASE - HOT DIP GALVANIZED PER ASTM-A-153
 - 2.2 END FITTING - HOT DIP GALVANIZED PER ASTM-A-153
 - 2.3 ROD - ULTRAVIOLET PROTECTIVE COATING, MUNSSEL GRAY (OPTIONAL) - VULCANIZED SILICONE RUBBER, GRAY
 - 3.0 DIMENSIONS IN INCHES



END FITTING VIEW - >V-2.00-1



END FITTING - P-6522-01



BASE VIEW

MACLEAN POWER SYSTEMS
A Maclean-fogg Company

G3HDV1-"L1L2"-DY1 SERIES
TRIPLE PHASE 15° VERTICAL PIN INSULATOR
BRACKET

DATE: 6-21-12 SCALE: 1:1 NO. CEB-4056

DWG. BY: MYL CHK. BY: JAF

R 1 OF 1

ENG. REF.

This information is confidential and is the property of Maclean Power Systems. It may not be made public or reproduced except that the Customer may make copies for use solely in installation, maintenance, and operation of products supplied by Maclean Power Systems.