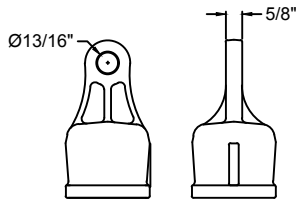
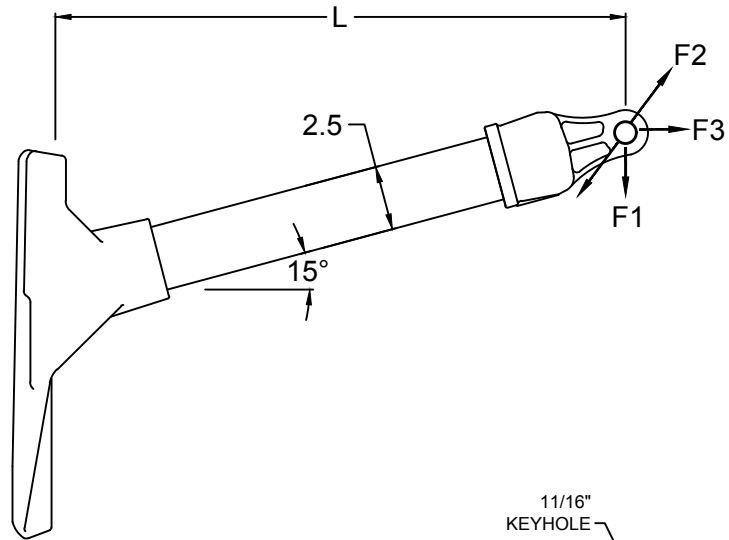
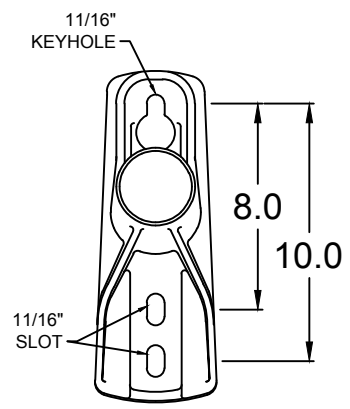


REVISIONS				
NO.	DATE	DESCRIPTION	BY	CKD
1	07/05/18	BASE MODIFIED TO HAVE KEYHOLE	MBC	



END FITTING VIEW - >E-2.50



BASE VIEW

CATALOG NUMBER		LENGTHS (IN)			ULTIMATE MECHANICAL STRENGTHS (LBS)	
POLYURETHANE COATED SERIES	SILICONE RUBBER COATED SERIES	L1	VERTICAL	LONGITUDINAL	TRANSVERSE	
G1XAA124DE	G1XAA124DESC	24	4500	3500	10000	
G1XAA130DE	G1XAA130DESC	30	3600	2800	10000	
G1XAA136DE	G1XAA136DESC	36	2900	2400	10000	
G1XAA148DE	G1XAA148DESC	48	2250	1750	10000	
G1XAA160DE	G1XAA160DESC	60	1800	1400	10000	

NOTES:

- 1.0 MATERIAL
  - 1.1 BASE - ALUMINUM, A356-T6
  - 1.2 END FITTING - DUCTILE IRON GRADE 654512
  - 1.3 ROD - FIBERGLASS
- 2.0 FINISH
  - 2.1 BASE - NONE
  - 2.2 END FITTING - HOT DIP GALVANIZED PER ASTM-A-153
  - 2.3 ROD - ULTRAVIOLET PROTECTIVE COATING, MUNSEL GRAY (OPTIONAL) - VULCANIZED SILICONE RUBBER, GRAY
- 3.0 DIMENSIONS IN INCHES

**MACLEAN POWER SYSTEMS**  
A Maclean-fogg Company

---

G1XAA1-"L"-DE SERIES

SINGLE PHASE SUSPENSION EYE BRACKET

---

DATE: 6-25-12	SCALE: 1:1	NO.:	CEB-4067
DRN: MYL	CHK: [ ]	APP: [ ]	R 1 OF [ ]

ENG. REF.

This information is confidential and is the property of Maclean Power Systems. It may not be made public or reproduced except that the Customer may make copies for use solely in installation, maintenance, and operation of products supplied by Maclean Power Systems.