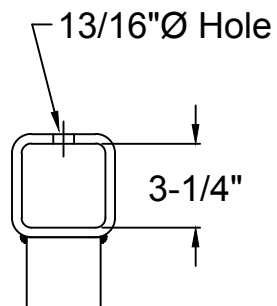
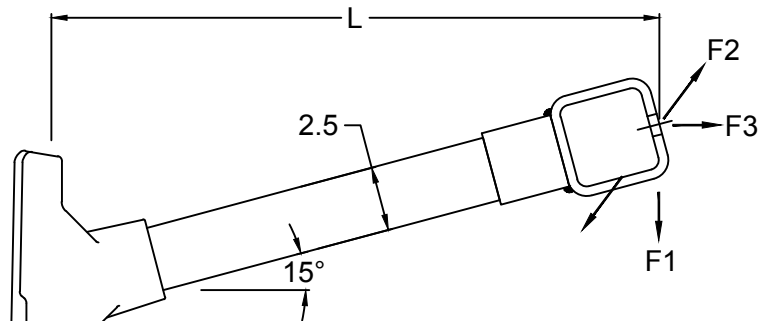
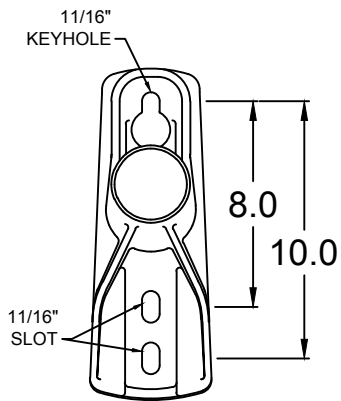


REVISIONS				
NO.	DATE	DESCRIPTION	BY	CKD
1	07/05/18	BASE MODIFIED TO HAVE KEYHOLE	MBG	



END FITTING VIEW - G1XAA134SH



BASE VIEW

CATALOG NUMBER		LENGTHS (IN)		ULTIMATE MECHANICAL STRENGTHS (LBS)	
POLYURETHANE COATED SERIES	SILICONE RUBBER COATED SERIES	L1	VERTICAL	LONGITUDINAL	TRANSVERSE
G1XAA124SH	G1XAA124SHSC	24	4500	3500	10000
G1XAA130SH	G1XAA130SHSC	30	3600	2800	10000
G1XAA134SH	G1XAA134SHSC	34	3150	2550	10000
G1XAA148SH	G1XAA148SHSC	48	2250	1750	10000
G1XAA160SH	G1XAA160SHSC	60	1800	1400	10000
G1XAA172SH	G1XAA172SHSC	72	1450	1200	10000

NOTES:

- 1.0 MATERIAL
 - 1.1 BASE - ALUMINUM, A356-T6
 - 1.2 END FITTING - DUCTILE IRON GRADE 654512
 - 1.3 ROD - FIBERGLASS
- 2.0 FINISH
 - 2.1 BASE - NONE
 - 2.2 END FITTING - HOT DIP GALVANIZED PER ASTM-A-153
 - 2.3 ROD - ULTRAVIOLET PROTECTIVE COATING, MUNSEL GRAY (OPTIONAL) - VULCANIZED SILICONE RUBBER, GRAY
- 3.0 DIMENSIONS IN INCHES



MACLEAN POWER SYSTEMS
A Maclean-fogg Company

G1XAA1-"L"-SH SERIES
SINGLE PHASE HORIZONTAL POST INSULATOR
BRACKET

This information is confidential and is the property of Maclean Power Systems. It may not be made public or reproduced except that the Customer may make copies for use solely in installation, maintenance, and operation of products supplied by Maclean Power Systems.

DATE: 6-25-12	SCALE: 1:1	NO.:	CEB-4068	R	SHL
CHK. BY: MYL	CRD. BY:	APP. BY:		1	OF

ENG. REF.