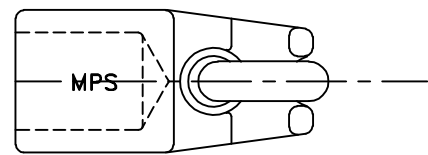
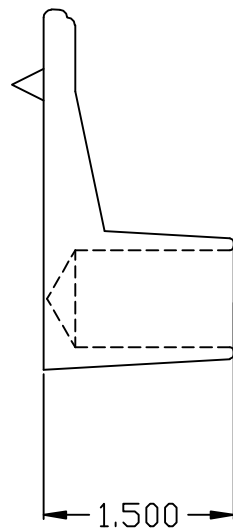
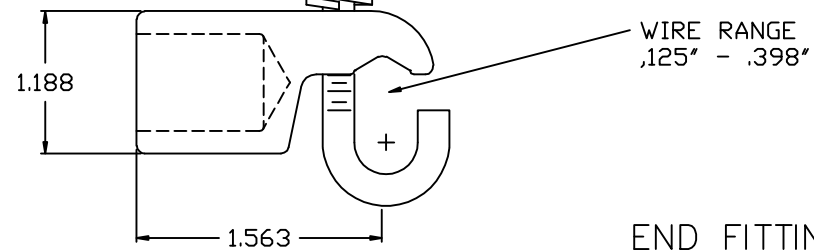


BASE FITTING

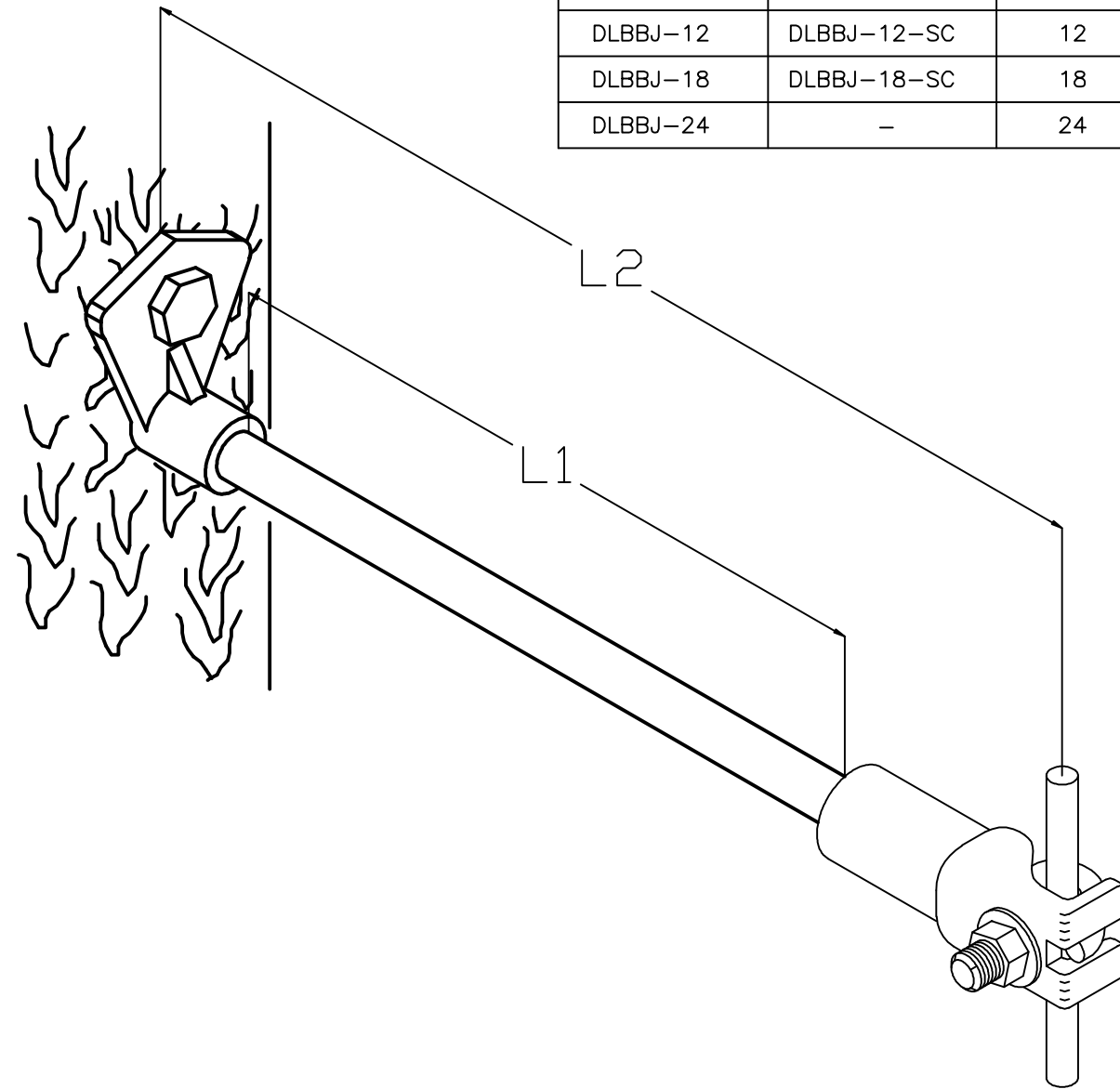


5/16" x 2" J-Bolt
w/ lockwasher, & hex nut



END FITTING

CATALOG NUMBER		LENGTHS (IN)			WIRE RANGE
POLYURETHANE COATED SERIES	SILICONE RUBBER COATED SERIES	L1	L2	D	DIAMETER
DLBBJ-12	DLBBJ-12-SC	12	15.25	.625	.125-.398
DLBBJ-18	DLBBJ-18-SC	18	21.25	.625	.125-.398
DLBBJ-24	-	24	27.25	.750	.125-.398



NOTES _____
 MATERIAL :
 CASTINGS : DUCTILE IRON : GRADE 654512
 HOT DIP GALV. PER ASTM A-153
 ROD : VEIL COATED FIBERGLASS
 HARDWARE : STEEL; HOT DIP GALV.
 PER ASTM A-123

This information is confidential and is the property of Maclean Power Systems. It may not be made public or reproduced except that the Customer may make copies for use solely in instillation, maintenance, and operation of products supplied by Maclean Power Systems.

NO.	DATE	DESCRIPTION	BY	CKD.
REVISIONS				
MACLEAN POWER SYSTEMS <i>A Maclean-fogg Company</i>				
DRAWN BY: MYL		APPROVED BY:	SCALE:	
		CHECKED BY:		
DLBBJ-"L1" SERIES DOWN LEAD BRACKET				
DATE: 6-26-12		DRAWING NO: CEB-4074		R/0