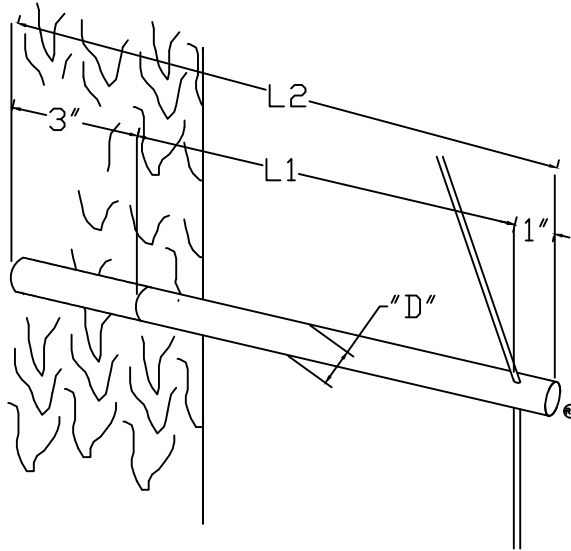


REVISIONS


NO.	DATE	DESCRIPTION	BY	CKD
1	7/23/13	CORRECTED ROD END, D WAS .813"	KMK	WCL
2	05/23/18	ADDED DL-24-7/16	MBG	



CATALOG NUMBER	LENGTHS (IN)			HOLE DIA.
	L1	L2	D <sup>Ⓜ</sup>	DIAMETER
DL-17-3/8	17	21	.750	.375
DL-18	18	22	.750	.375
DL-18-5/16-3	18	22	.750	.313
DL-22-3/8	22	26	.750	.375
DL-24	24	28	.750	.375
Ⓜ DL-24-7/16	24	28	.750	.438

NOTES:

- 1.0 MATERIAL
  - 1.1 ROD - FIBERGLASS
- 2.0 FINISH
  - 2.1 ROD - ULTRAVIOLET PROTECTIVE VEIL COATING, GRAY
- 3.0 DIMENSIONS IN INCHES

 <b>MACLEAN POWER SYSTEMS</b> A Maclean-fogg Company
DL-"L1" SERIES DOWN LEAD BRACKET

This information is confidential and is the property of Maclean Power Systems. It may not be made public or reproduced except that the Customer may make copies for use solely in installation, maintenance, and operation of products supplied by Maclean Power Systems.

ENG. REF.

DATE: 6-26-12	SCALE: 1:1	NO. CEB-4076	R/2	SPL. OF
CHK BY: MYL				